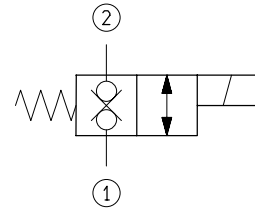
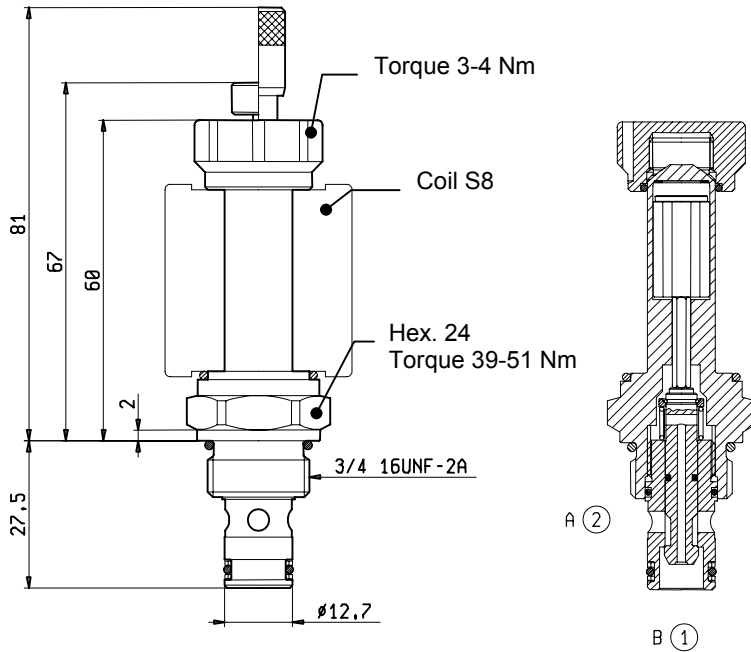


**SOLENOID OPERATED VALVES
POPPET 2-WAY DOUBLE LOCK NORMALLY CLOSED
CARTRIDGE STYLE**



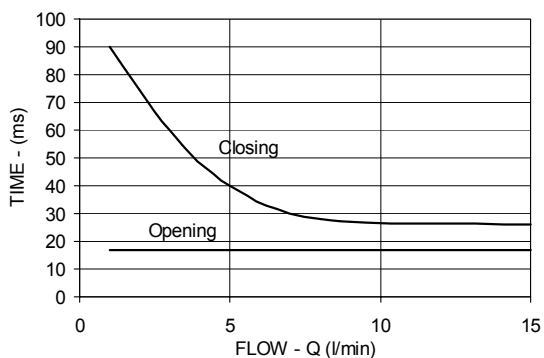
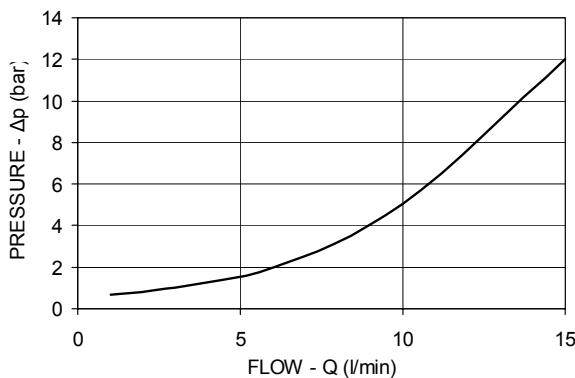
VED-8I-2T-06-NC

OD.11.31.18 - Y - 00



TECHNICAL DATA

Maximum Operating Pressure	210	bar
Rated Flow	15	l/min
Cavity - Tooling (018-E)	page 7.01.100	
Weight	0.130	kg
Fluids - Temperatures	page 7.01.040	
Testing Conditions - Seals	page 7.01.040	
Internal Leakage	page 7.01.040	
Filtration : 25 µm nominal or better	page 7.01.050	
Minimum Voltage Required	90% of nominal	
Coils must be ordered separately	pag. 1.71.050	
Mounting Position	unrestricted	



Y ORDERING OPTIONS

14	Standard	
15	Push Style Manual Override	
16	Push and Twist Style Manual Override	