

Solenoid operated valves direct acting poppet type
 2-way double lock
 Common cavity, Size 08

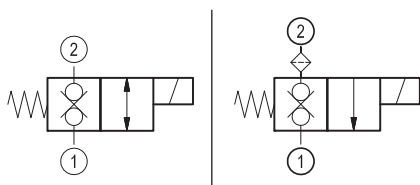
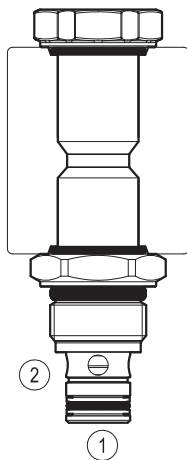
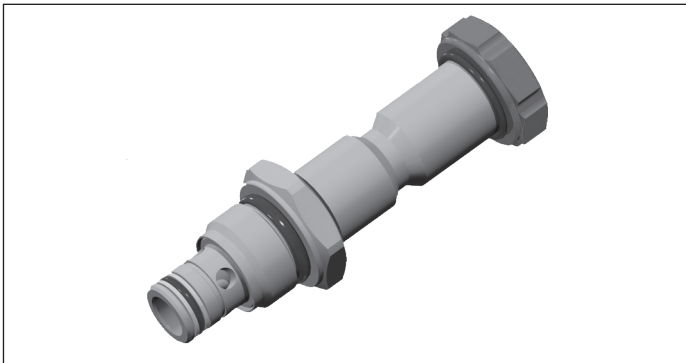
VEDT-16-08A-NC

OD.11 - X - 18 - Y - Z

RE 18324-02

Edition: 11.2017

Replaces: 09.2017

**Technical data**

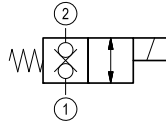
General		
Weight		0.12 kg (0.26 lbs)
Installation orientation		Unrestricted
Ambient temperature range		-30 to 90 °C (-22 to 194 °F)
Hydraulic		
Max. operating pressure		up to 250 bar (3625 psi)
Max. flow		up to 15 l/min. (4 gpm)
Max. internal leakage		5 drops/min
Fluid temperature range		-20 to 80 °C (-4 to 176 °F)
Fluids: Mineral-based or synthetics with lubricating properties at viscosities of 20 to 380 mm ² /s (cSt)		
Installation torque		34 - 39 Nm (25 - 29 ft-lbs)
Recommended degree of fluid contamination		Nominal value max. 10 µm (NAS 8) ISO 4406 19/17/14
MTTFd		150 years see RE 18350-51
Cavity		CA-08A-2N see 18325-70
Seal kit	code	RG08A2010530100
	material no.	R901101544
Seal kit coil and standard cap	code	RG02Z0010000100
	material no.	R930067869
Seal kit coil and protective cap only for Y=B,C	code	RG03Z0010000100
	material no.	R930067870
Lines bodies and standard assemblies		Please refer to section "Hydraulic integrated circuit" or consult factory
Other technical data		See data sheet 18350-50
Electrical		
Type of voltage		DC voltage
Coil type		D36
Supply voltage		See data sheet 18325-90
Admitted voltage tolerance: see characteristic curves and table		
Power consumption		20 W
Type of protection		See data sheet 18325-90
Note: Coils must be ordered separately		

Ordering code

OD.11	X	18	Y	Z	0000	*
--------------	----------	-----------	----------	----------	-------------	----------

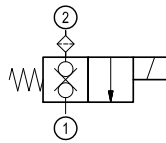
Solenoid operated valves
direct acting poppet type
2-way double lock

Series O/A to L
unchanged performances and dimensions



31

0 = With Buna seal
V = With Viton seal
P = With buna seal and protective cap for override version B and C



33

A = Standard
B = Push style manual override
C = Push and twist style manual override

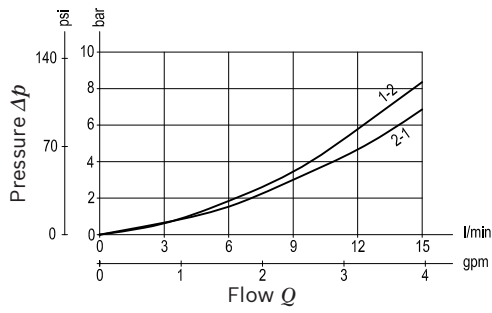
Common cavity: CA-08A-2N

Type	Material number
OD113118A000000	R930058329
OD113118B000000	R930058330
OD113318A000000	R930060586
OD113318B000000	R930058328
OD113118BP00000	R930061372

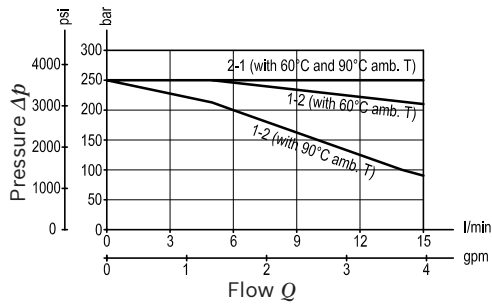
Type	Material number
OD113118C000000	R930065584

Characteristic curves

Version 31

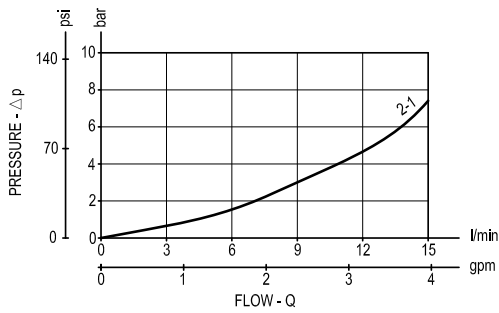


Performance limits at 100% duty cycle



Minimum switching voltage		
Flow direction	Amb. T	Voltage required
2-1	60°C	-20% of V nominal
2-1	90°C	V nominal
1-2	60°C	-10% of V nominal
1-2	90°C	V nominal

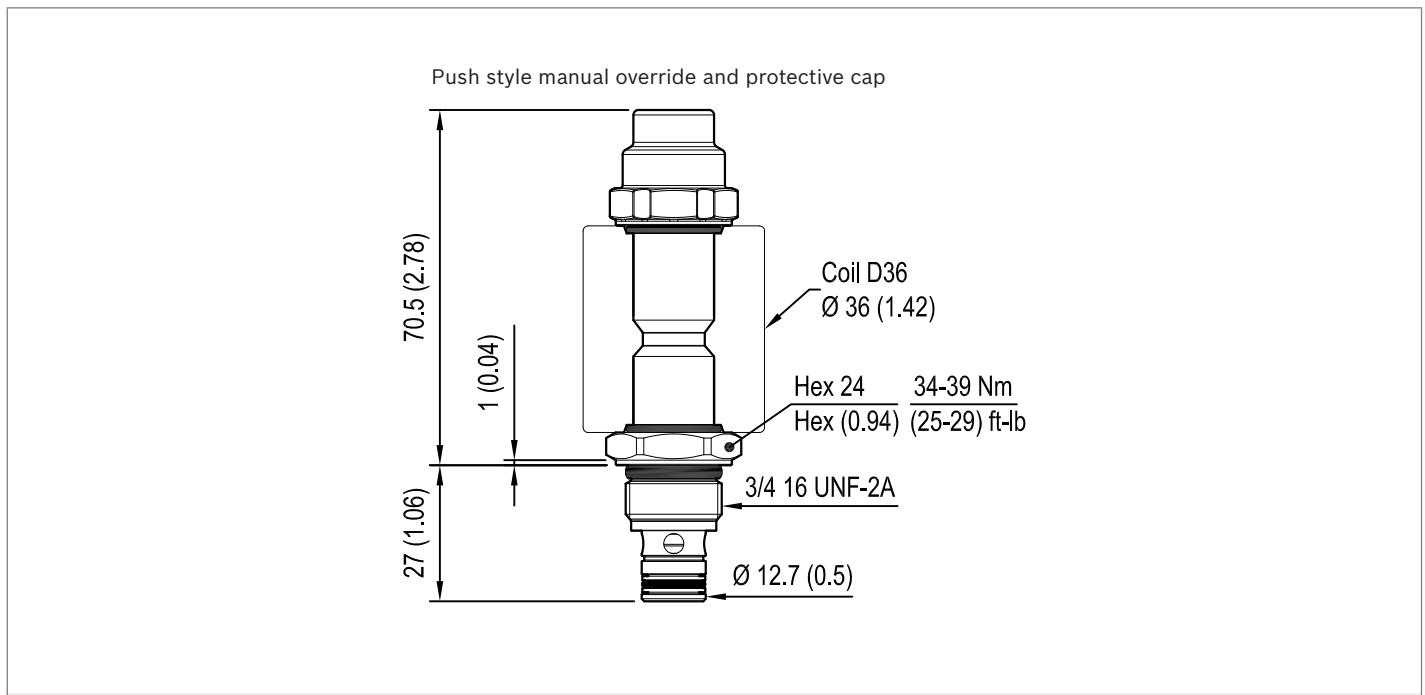
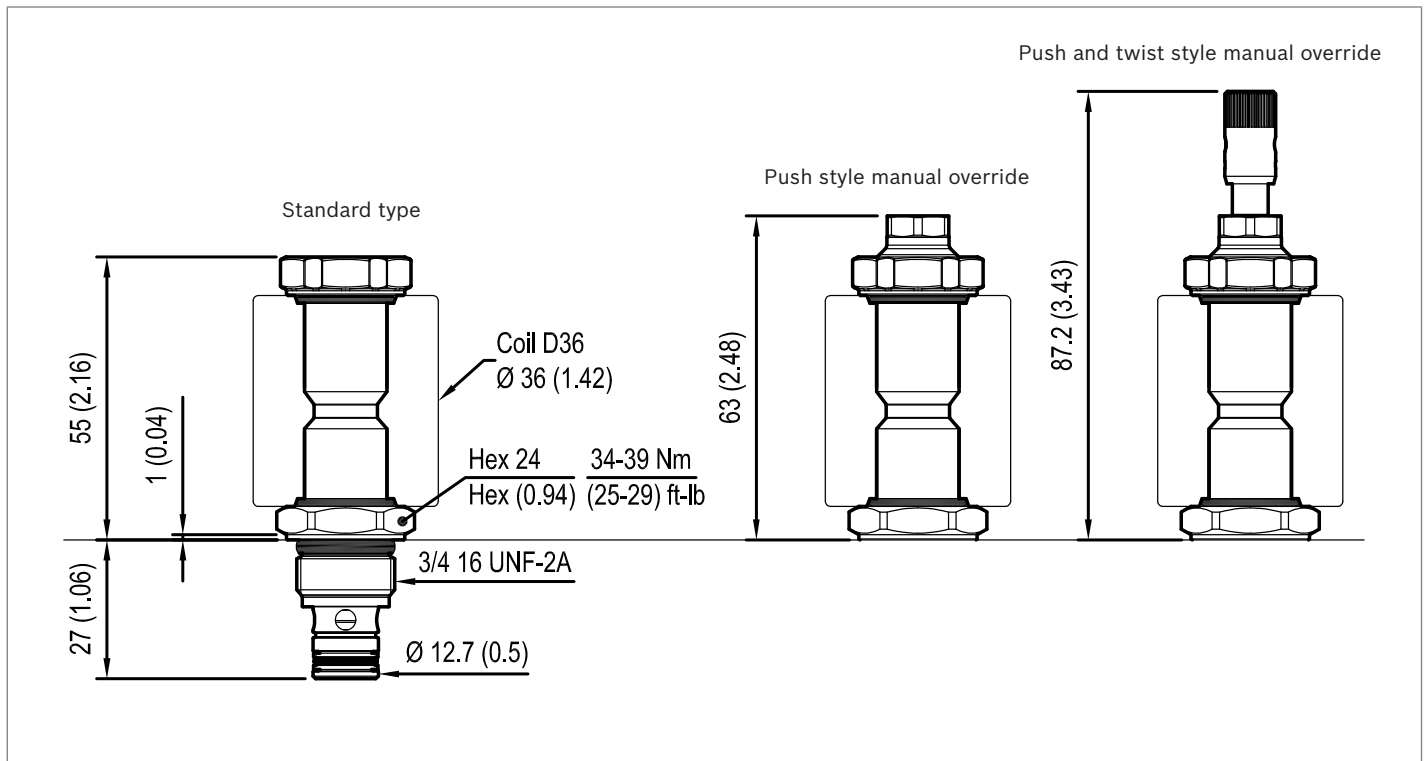
Version 33



Dimensions

Solenoid operated valves direct acting poppet type

2-way double lock



Bosch Rexroth Oil Control S.p.A.

Via Leonardo da Vinci 5
P.O. Box no. 5
41015 Nonantola – Modena, Italy
Tel. +39 059 887 611
Fax +39 059 547 848
compact-hydraulics-cv@boschrexroth.com
www.boschrexroth.com/compacthydraulics

© This document, as well as the data, specifications and other information set forth in it, are the exclusive property of Bosch Rexroth Oil Control S.p.a.. It may not be reproduced or given to third parties without its consent. The data specified above only serve to describe the product. No statements concerning a certain condition or suitability for a certain application can be derived from our information. The information given does not release the user from the obligation of own judgment and verification. It must be remembered that our products are subject to a natural process of wear and aging. Subject to change.