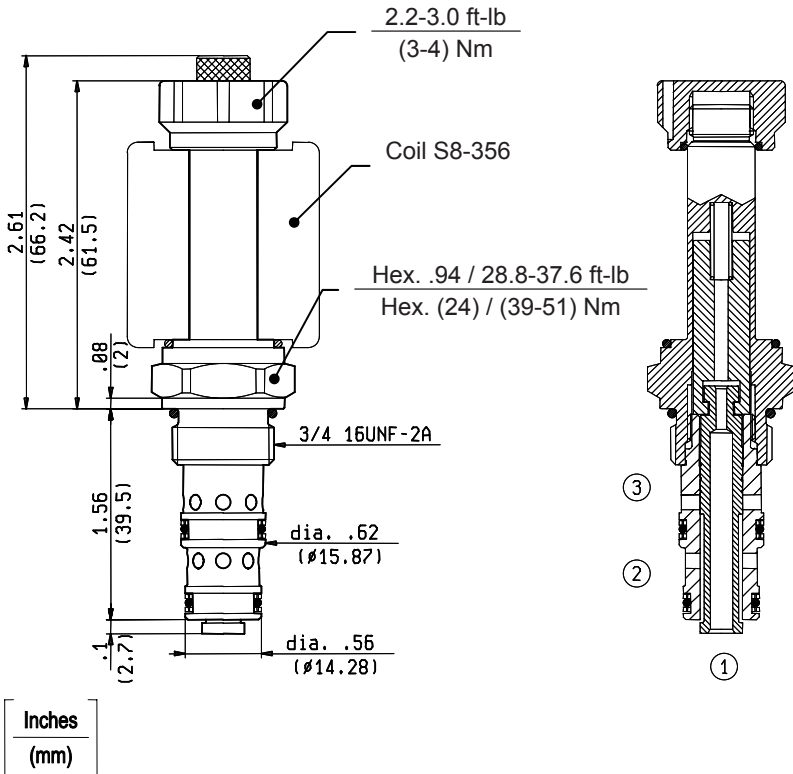


**SOLENOID OPERATED VALVES
 SPOOL 3-WAY 2-POSITION
 COMMON CAVITY**

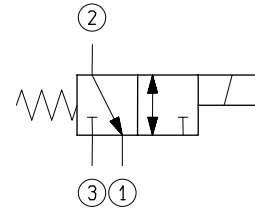
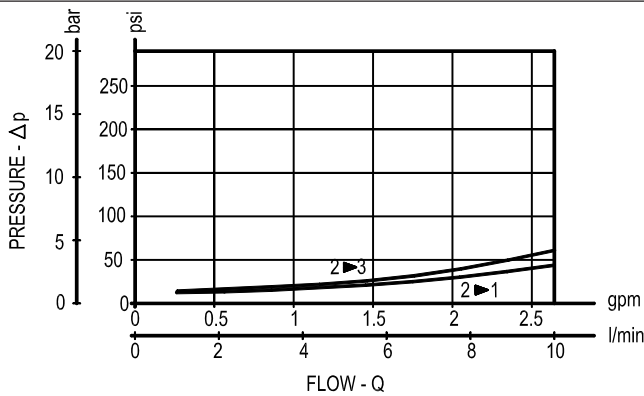
VED-8I-32-06-SI

SIZE 08

OD.13.11.51 - Y - 00



Port 1 can be pressurized but is not intended to be used as inlet port.

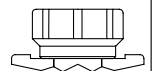


TECHNICAL DATA

Maximum Operating Pressure	3000 psi (210 bar)
Rated Flow	3 gpm (10 l/min)
Cavity - Tooling (CA-08A-3N)	page CT.A.003.U
Line bodies	page MN2.A...
Weight	0.286 lbs (0.130 kg)
Fluids - Temperatures	page 7.01.040
Testing Conditions - Seals	page 7.01.040
Internal Leakage(2 ▶ 3) at 210 bar with 46 cSt oil	Max.2.5 in ³ /min (Max.40 cm ³ /min)
Internal Leakage(2 ▶ 1) at 210 bar with 46 cSt oil	Max.9.8 in ³ /min (Max.160 cm ³ /min)
Filtration : 25 μm nominal or better	page 7.01.050
Minimum Voltage Required	90% of nominal
Coils must be ordered separately	page 1.71.042
Mounting Position	unrestricted

Y ORDERING OPTIONS

30 Standard



40 Knob Style Manual Override

