

# Solenoid operated valves direct acting spool type

## 3-way 2-position

### Common cavity, Size 08

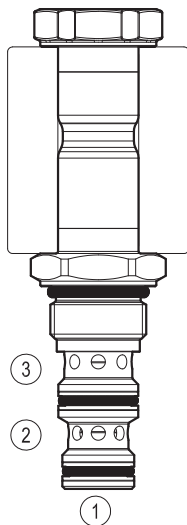
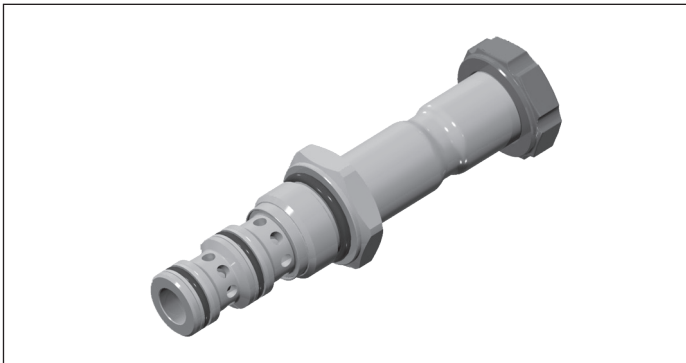
VED-16-08A-32

OD.13 - X - 51 - Y - Z

**RE 18324-08**

Edition: 06.2017

Replaces: 05.2017



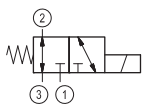
#### Technical data

General	
Weight	0.13 kg (0.29 lbs)
Installation orientation	Unrestricted
Ambient temperature range	-30 to 90 °C (-22 to 194 °F)
Hydraulic	
Max. operating pressure	up to 280 bar (4060 psi) *
Max. flow	up to 20 l/min (5 gpm)
Max. internal leakage at 230 bar	40 cm <sup>3</sup> /min. (2.4 cu.in./min.)
Fluid temperature range	-20 to 80 °C (-4 to 176 °F)
Fluids: Mineral-based or synthetics with lubricating properties at viscosities of 20 to 380 mm <sup>2</sup> /s (cSt)	
Installation torque	34 - 39 Nm (25 - 29 ft-lbs)
Recommended degree of fluid contamination	Nominal value max. 10 µm (NAS 8) ISO 4406 19/17/14
MTTFd	150 years see RE 18350-51
Cavity	CA-08A-3N see 18325-70
Seal kit	code material no. RG08A3010530100 R901101723
Seal kit coil	code material no. RG01Z0010000100 R930058940
Other technical data	See data sheet 18350-50
Electrical	
Type of voltage	DC voltage
Coil type	D36
Supply voltage	See data sheet 18325-90
Admitted voltage tolerance: -10% / +15% of nominal voltage at 60°C amb. T	
Power consumption	20 W
Type of protection	See data sheet 18325-90

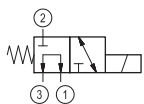
Note: Coils must be ordered separately

\* See performance limits at page 3.

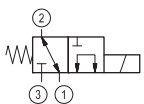
#### ▼ Version 10



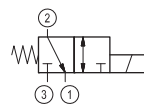
#### ▼ Version 20



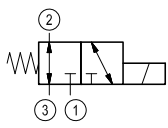
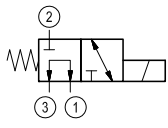
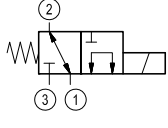
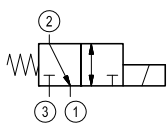
#### ▼ Version 30



#### ▼ Version 11



**Ordering code**

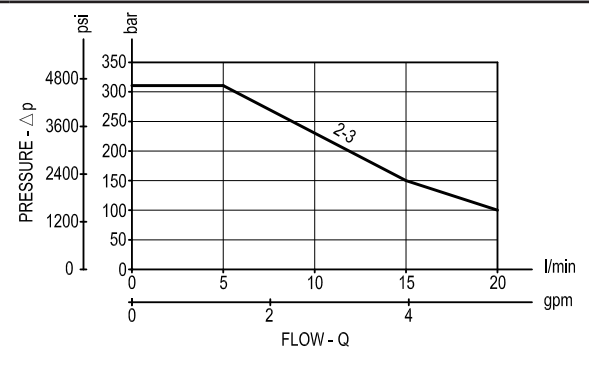
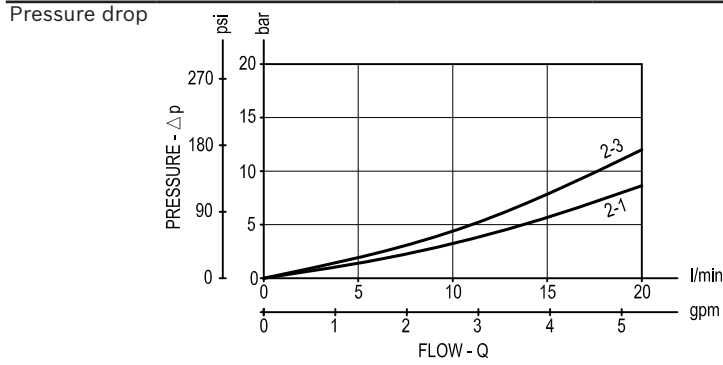
OD.13	X	51	Y	Z	0000	*
Solenoid operated valves direct acting spool type 3-way 2-position					Series O/A to L unchanged performances and dimensions	
	<b>10</b>					0 = With Buna seal V = With Viton seal
	<b>20</b>					
	<b>30</b>					A = Standard D = Knob style manual override
	<b>11</b>					Common cavity: CA-08A-3N

Type	Material number
OD131051A000000	R930058342
OD131051D000000	R930058707
OD131151A000000	R930058704
OD131151D000000	R930058708
OD132051A000000	R930058703

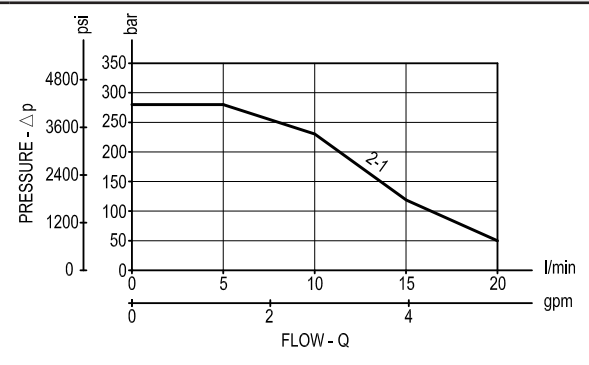
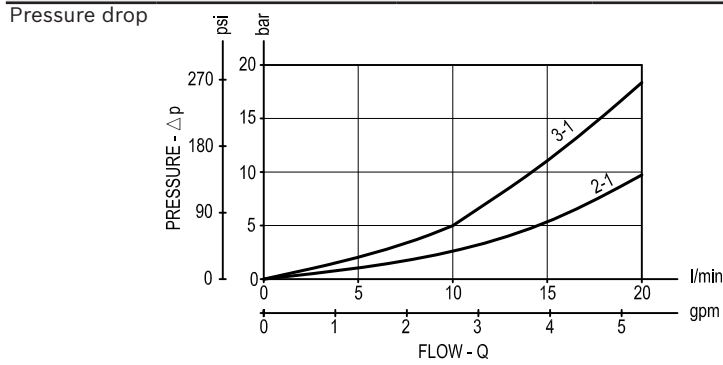
Type	Material number
OD132051D000000	R930058709
OD133051A000000	R930058702
OD133051D000000	R930058710

**Characteristic curves**

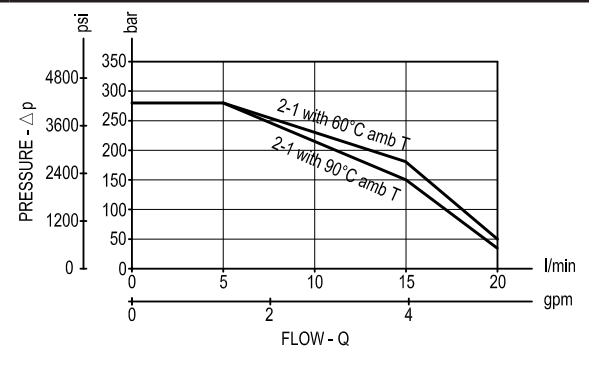
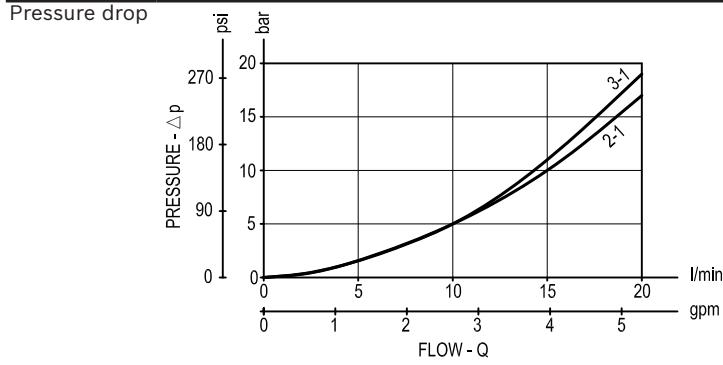
**Version 10 Performance limits at 100% duty cycle with 90°C and 60°C amb. T**



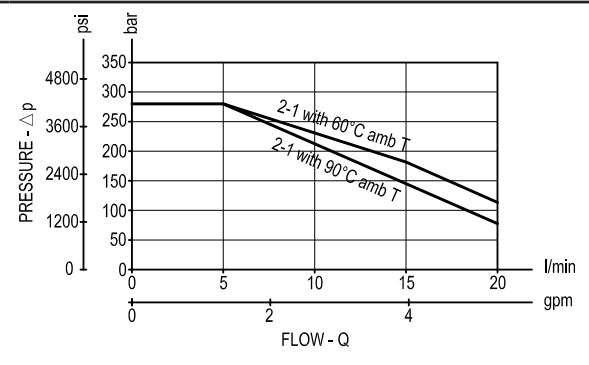
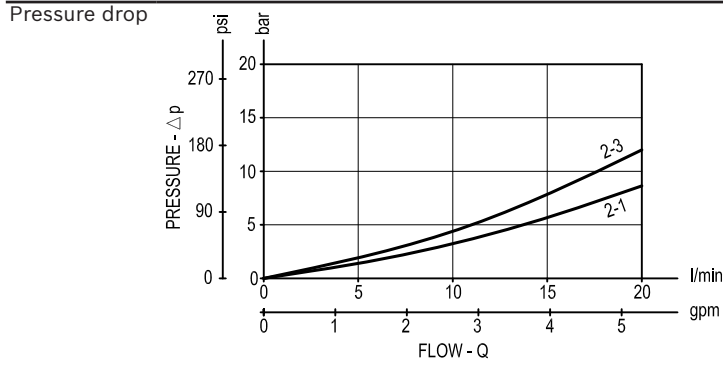
**Version 20 Performance limits at 100% duty cycle with 90°C and 60°C amb. T**



**Version 30 Performance limits at 100% duty cycle**

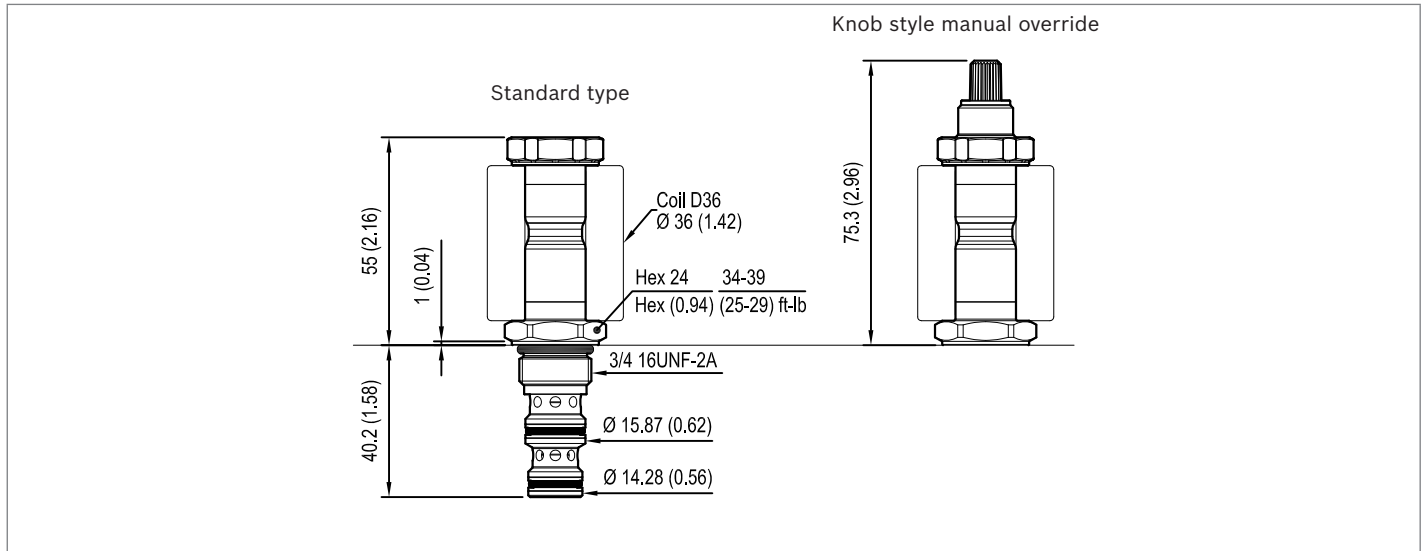


**Version 11 Performance limits at 100% duty cycle**



Minimum switching voltage for all versions at 100% ED	
Amb. T	Voltage required
60°C	-10% of V nominal
90°C	V nominal

Note: in case of need of performance limits at specific different working conditions, please consult factory.

**Dimensions****Solenoid operated valves, direct acting  
spool type 3-way 2-position****Bosch Rexroth Oil Control S.p.A.**

Via Leonardo da Vinci 5  
P.O. Box no. 5  
41015 Nonantola – Modena, Italy  
Tel. +39 059 887 611  
Fax +39 059 547 848  
compact-hydraulics-cv@boschrexroth.com  
www.boschrexroth.com/compacthydraulics

© This document, as well as the data, specifications and other information set forth in it, are the exclusive property of Bosch Rexroth Oil Control S.p.a.. It may not be reproduced or given to third parties without its consent. The data specified above only serve to describe the product. No statements concerning a certain condition or suitability for a certain application can be derived from our information. The information given does not release the user from the obligation of own judgment and verification. It must be remembered that our products are subject to a natural process of wear and aging. Subject to change.