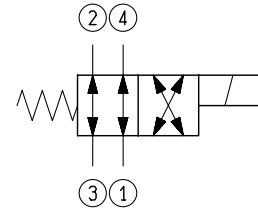
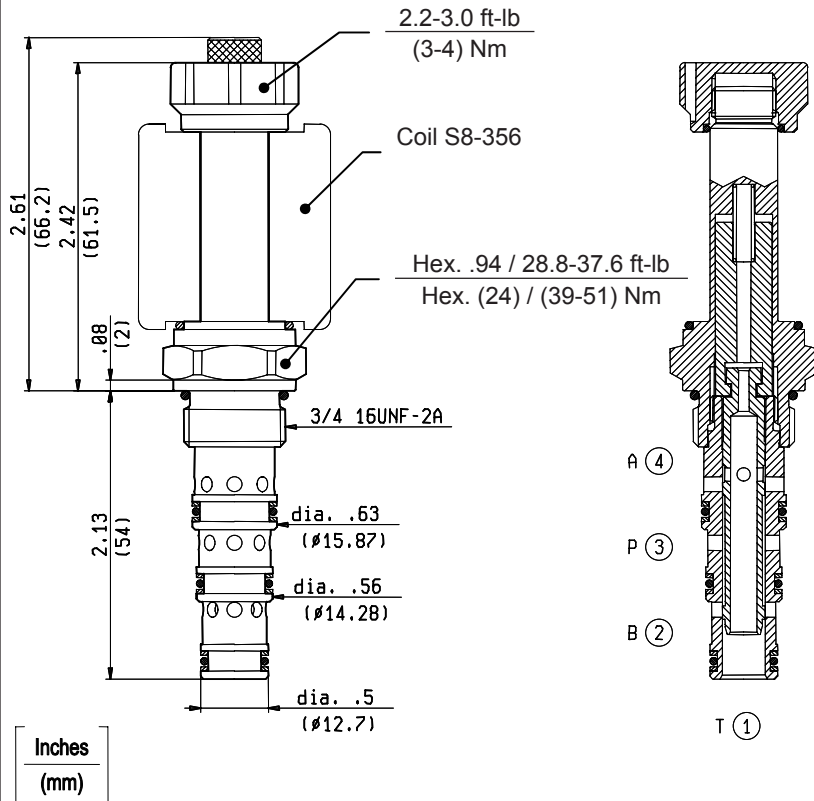


**SOLENOID OPERATED VALVES
 SPOOL 4-WAY 2-POSITION
 COMMON CAVITY**

VED-81-42-06-CA

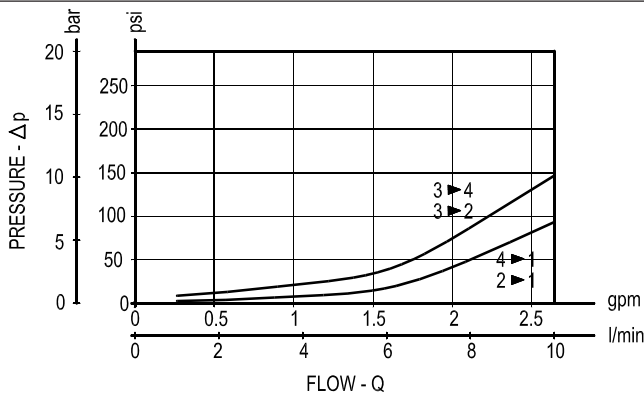
SIZE 08

OD.14.40.58 - Y - 00



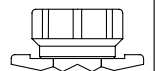
TECHNICAL DATA

Maximum Operating Pressure	3000 psi (210 bar)
Rated Flow	3 gpm (10 l/min)
Cavity - Tooling (CA-08A-4N)	page CT.A.004.U
Line bodies	page MN2.A...
Weight	0.286 lbs (0.130 kg)
Fluids - Temperatures	page 7.01.040
Testing Conditions - Seals	page 7.01.040
Internal Leakage at 3000 psi (210 bar) with 46 cSt oil	Max.2.5 in ³ /min (Max.40 cm ³ /min)
Filtration : 25 m nominal or better	page 7.01.050
Minimum Voltage Required	90% of nominal
Coils must be ordered separately	page 1.71.042
Mounting Position	unrestricted



Y ORDERING OPTIONS

30 Standard



40 Knob Style Manual Override

