

RE 18321-09/01.10

1/2

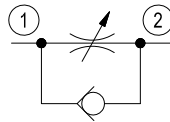
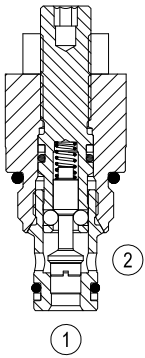
Replaces: RE 00162-02/01.06

# Needle restrictor, free reverse flow, fine adjustment

## Common cavity, Size 08

STFU-08A

04.01.06 - X - 56.00

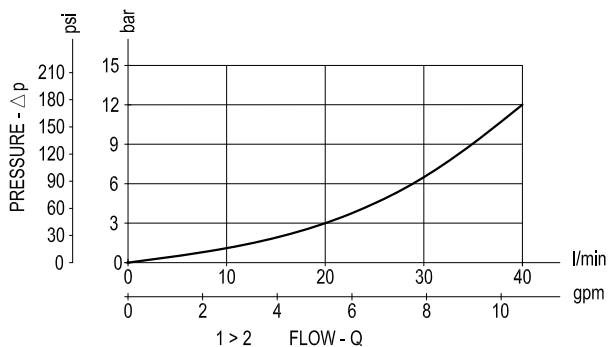
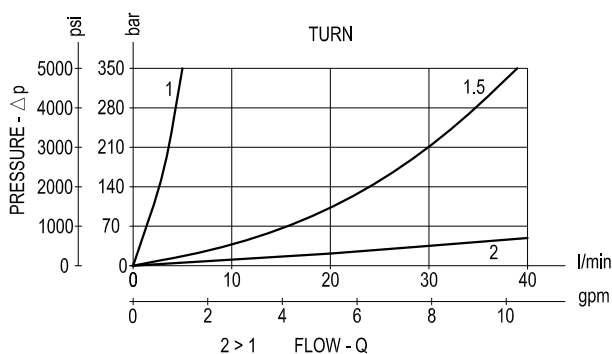


### Description

With flow from 2 to 1, the valve provides a fully adjustable orifice restriction. Free flow is permitted from 1 to 2, regardless of valve adjustment, by when pressure overcomes the spring bias of the valve's check function.

STFU, compared to STVU, is suitable for applications requiring fine adjustments.

### Performance



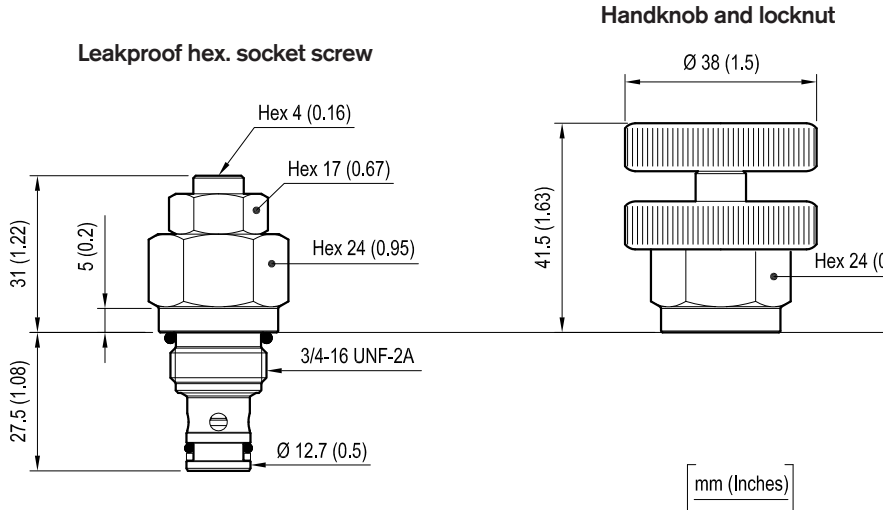
### Technical data

Max. operating pressure	bar (psi)	350 (5000)
Max. flow	l/min. (gpm)	40 (11)
Max. internal leakage (*)	(drops/min.)	15 closed
Fluid temperature range	°C (°F)	-30 to 100 (-22 to 212)
Installation torque	Nm (ft-lbs)	34-41 (25-30)
Weight	kg (lbs)	0.16 (0.35)
Cavity		CA-08A-2N see data sheet RE 18325-70
Line bodies		See data sheet RE 18325-85
Seal kit (**)	code material no.	RG08A2010520100 R901101437
Fluids		Mineral-based or synthetics with lubricating properties at viscosities of 5 to 800 mm <sup>2</sup> /s (cSt)
Filtration		Nominal value max. 10µm (NAS 8) ISO 4406 19/17/14
Installation		No restrictions
Other Technical Data		See data sheet RE 18350-50

(\*) Measured at 200 bar (2900 psi)

(\*\*) Only external seals for 10 valves

Dimensions



Ordering code

04.01.06	X	56	00	00	*
----------	---	----	----	----	---

Needle restrictor, free reverse flow

Series 0/A to L  
unchanged performances and dimensions

Version and options standard

Adjustments

= 03 Leakproof hex. socket screw

= 04 Handknob and locknut

Common cavity, Size 08

Type	Material number
040106035600000	R930001067
040106045600000	R930001068

Type	Material number