

Flow control, 2-way pressure compensated,
partially adjustable
Common cavity, Size 10

VRFA-10A

04.02.01 - X - 85 - Z

RE 18321-15

Edition: 03.2016

Replaces: 09.2009

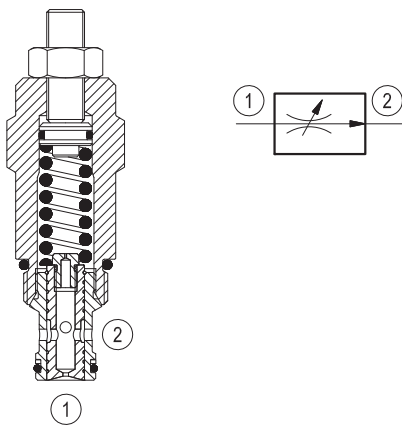


Technical data	
Pressure min. - max.	14 - 350 bar (200 - 5000 psi)
Flow range	see "Regulated flow range" table
Fluid temperature range	-30 to 100 °C (-22 to 212 °F)
Installation torque	41 - 47 Nm (30 - 35 ft-lbs)
Weight ¹⁾	0.26 kg (0.57 lbs)
Cavity	CA-10A-2N (see data sheet 18325-70)
Lines bodies and standard assemblies	Please refer to section "Hydraulic integrated circuit" or consult factory
Seal kit ²⁾	Code: RG10A2010520100 material no: R901111363
Fluids	Mineral-based or synthetics with lubricating properties at viscosities of 10 to 500 mm ² /s (cSt)
Recommended degree of fluid contamination	Nominal value max. 10µm (NAS 8) / ISO 4406 19/17/14
Installation	No restrictions
Other Technical Data	See data sheet 18350-50

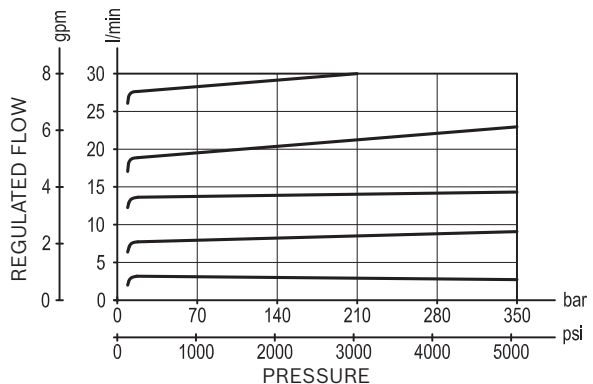
- 1) Standard version X=03 type
- 2) Only external seals for 10 valves

Description

A constant flow rate, regardless of system pressures, is established from 1 to 2 while a minimum pressure differential of 14 bar (200 psi) exists between the two ports. Output flow can be varied through a limited range of adjustment and coordinate change in minimum required pressure differential. Flow from 2 to 1 is limited by the diameter of the selected control orifice and is not pressure compensated.



Characteristic curve



Ordering code

04.02.01	X	85	Z	00	*
-----------------	----------	-----------	----------	-----------	----------

Flow control, 2-way pressure compensated partially adjustable

Series 0/A to L
unchanged performances and dimensions

Version and options standard

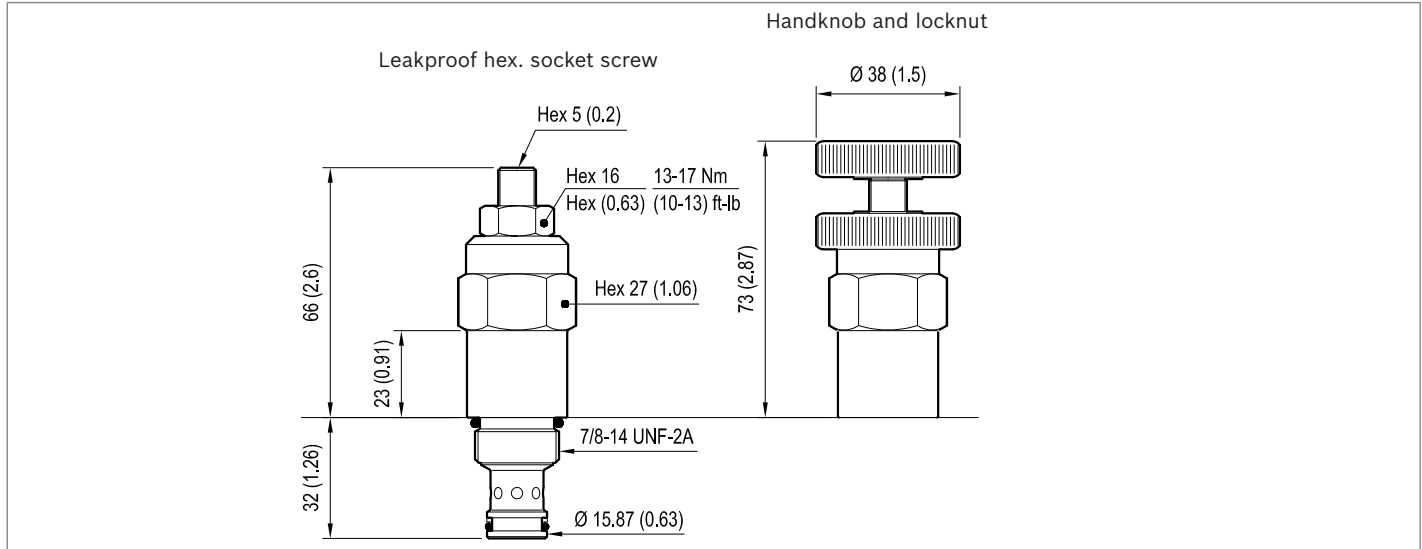
Adjustments**03** Leakproof hex. socket screw**04** Handknob and locknut**85** Common cavity, Size 10**Regulated flow range**
l/min. (gpm)

04	3-4.2 (0.79-1.11)
06	4-5.8 (1.06-1.53)
08	5.5-7.8 (1.45-2.06)
11	7.5-11 (1.98-2.91)
14	9.5-14 (2.51-3.70)
20	13-20 (3.44-5.28)
26	19-26 (5.02-6.87)

Preferred types

Type	Material number
040201038504000	R901109325
040201038506000	R901109327
040201038508000	R901109330
040201038511000	R901109333
040201038514000	R901109334
040201038520000	R901109335
040201038526000	R901109336

Type	Material number
040201048504000	R901109339
040201048506000	R901109340
040201048508000	R901109341
040201048511000	R901109343
040201048514000	R901109344
040201048520000	R901109345
040201048526000	R901109347

Dimensions**Bosch Rexroth Oil Control S.p.A.**

Via Leonardo da Vinci 5
P.O. Box no. 5
41015 Nonantola – Modena, Italy
Tel. +39 059 887 611
Fax +39 059 547 848
compact-hydraulics-cv@boschrexroth.com
www.boschrexroth.com/compacthydraulics

© This document, as well as the data, specifications and other information set forth in it, are the exclusive property of Bosch Rexroth Oil Control S.p.a.. It may not be reproduced or given to third parties without its consent. The data specified above only serve to describe the product. No statements concerning a certain condition or suitability for a certain application can be derived from our information. The information given does not release the user from the obligation of own judgment and verification. It must be remembered that our products are subject to a natural process of wear and aging. Subject to change.