

Flow control, 3-way pressure compensated,
combination type partially adjustable
Common cavity, Size 10

VRFC-10A

04.04.01 - X - 85 - Z

RE 18321-17

Edition: 03.2016

Replaces: 09.2009

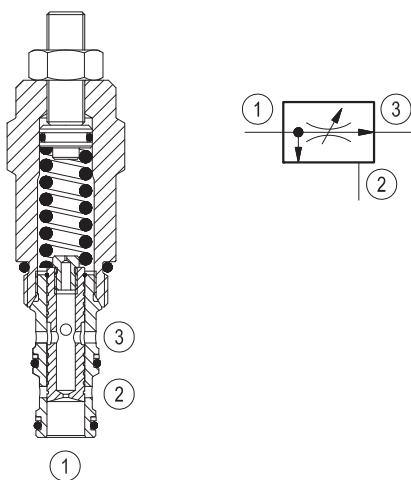


Technical data	
Pressure min. - max.	14 - 350 bar (200 - 5000 psi)
Max. inlet flow	60 l/min. (16 gpm)
Flow range	see "Regulated flow range" table
Fluid temperature range	-30 to 100 °C (-22 to 212 °F)
Installation torque	41 - 47 Nm (30 - 35 ft-lbs)
Weight ¹⁾	0.26 kg (0.57 lbs)
Cavity	CA-10A-3N (see data sheet 18325-70)
Lines bodies and standard assemblies	Please refer to section "Hydraulic integrated circuit" or consult factory
Seal kit ²⁾	Code: RG10A3010520100 material no: R901111369
Fluids	Mineral-based or synthetics with lubricating properties at viscosities of 10 to 500 mm ² /s (cSt)
Recommended degree of fluid contamination	Nominal value max. 10µm (NAS 8) / ISO 4406 19/17/14
Installation	No restrictions
Other Technical Data	See data sheet 18350-50

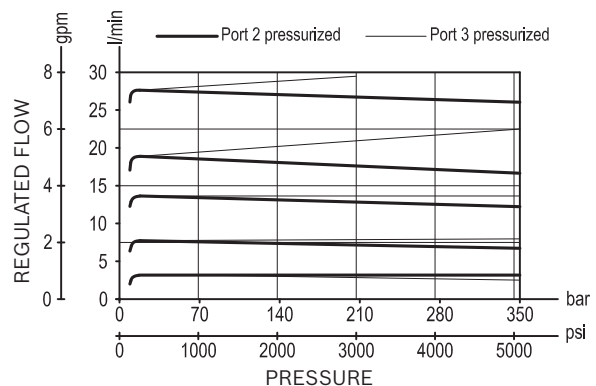
Description

A constant flow rate, regardless of system pressures, is established from 1 to 3 while a minimum pressure differential of 14 bar (200 psi) exists between the two ports. Input flow supplied to 1 in excess of the regulated output at 3 is by-passed to 2. Output flow can be varied through a limited range of adjustment and coordinate change in minimum required pressure differential. Flow from 3 to 1 is limited by the diameter of the selected control orifice and is not pressure compensated. Flow from 2 to 1 is not permitted.

- 1) Standard version X=03 type
- 2) Only external seals for 10 valves



Characteristic curve



Ordering code

04.04.01	X	85	Z	00	*
-----------------	----------	-----------	----------	-----------	----------

Flow control, 3-way pressure compensated combination type partially adjustable

Series 0/A to L
unchanged performances and dimensions

Version and options standard

Adjustments

03 Leakproof hex. socket screw

04 Handknob and locknut

85 Common cavity, Size 10

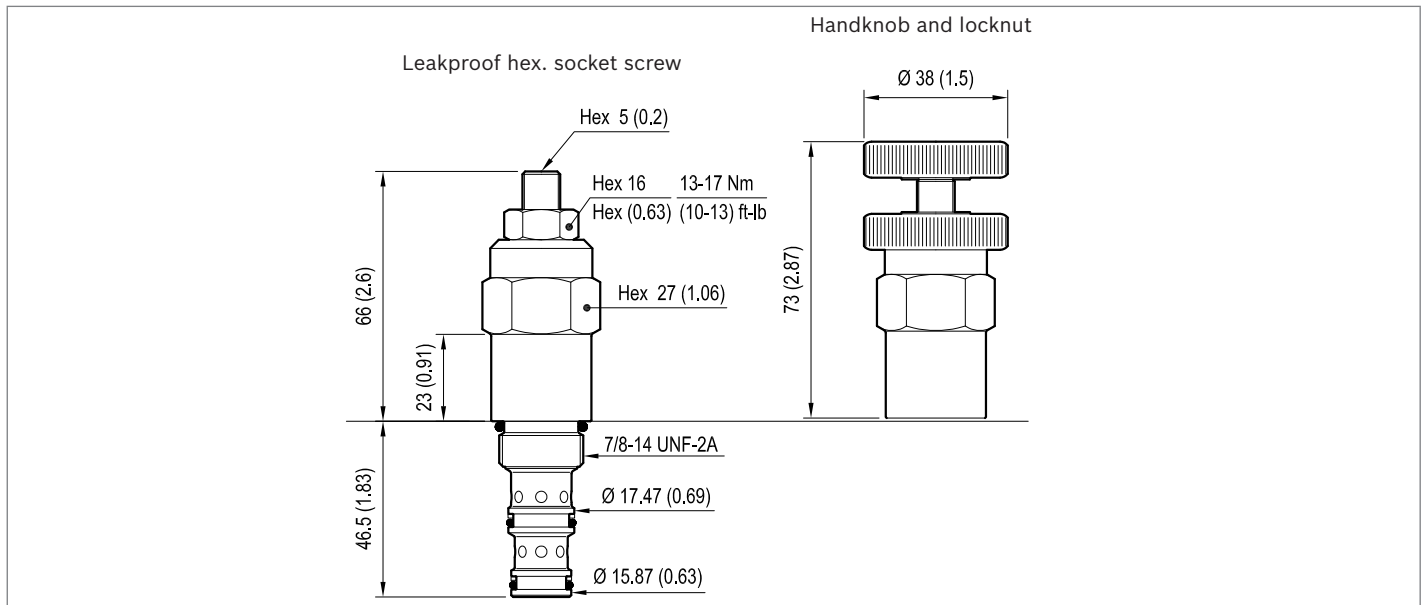
Regulated flow range
l/min. (gpm)

02	1.5-2.5 (0.4-0.66)
04	3-4.2 (0.79-1.11)
06	4-5.8 (1.06-1.53)
08	5.5-7.8 (1.45-2.06)
09	6.5-9.5 (1.72-2.51)
11	7.5-11 (1.98-2.91)
14	9.5-14 (2.51-3.70)
20	13-20 (3.44-5.28)
26	19-26 (5.02-6.87)

Preferred types

Type	Material number
040401038502000	R930000266
040401038504000	R901106648
040401038506000	R901106652
040401038508000	R901106657
040401038509000	R901106659
040401038511000	R901106660
040401038514000	R901106661
040401038520000	R901106662
040401038526000	R901106663

Type	Material number
040401048504000	R901106664
040401048506000	R901106665
040401048508000	R901106666
040401048509000	R901106667
040401048511000	R901106668
040401048514000	R901106669
040401048520000	R901106670
040401048526000	R901106671

Dimensions**Bosch Rexroth Oil Control S.p.A.**

Via Leonardo da Vinci 5
P.O. Box no. 5
41015 Nonantola - Modena, Italy
Tel. +39 059 887 611
Fax +39 059 547 848
compact-hydraulics-cv@boschrexroth.com
www.boschrexroth.com/compacthydraulics

© This document, as well as the data, specifications and other information set forth in it, are the exclusive property of Bosch Rexroth Oil Control S.p.a.. It may not be reproduced or given to third parties without its consent. The data specified above only serve to describe the product. No statements concerning a certain condition or suitability for a certain application can be derived from our information. The information given does not release the user from the obligation of own judgment and verification. It must be remembered that our products are subject to a natural process of wear and aging. Subject to change.