

Flow control, 3-way pressure compensated,  
combination type fully adjustable  
Common cavity, Size 10

VRFD-10A

04.04.02 - X - 85 - Z

**RE 18321-20**

Edition: 03.2016

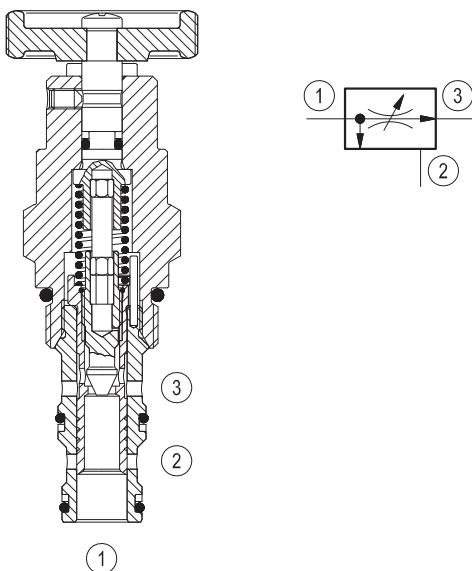
Replaces: 09.2009



Technical data	
Pressure min. - max.	14 - 350 bar (200 - 5000 psi)
Max. inlet flow	60 l/min. (16 gpm)
Flow range	see "Regulated flow range" table
Fluid temperature range	-30 to 100 °C (-22 to 212 °F)
Installation torque	41 - 47 Nm (30 - 35 ft-lbs)
Weight <sup>1)</sup>	0.26 kg (0.57 lbs)
Cavity	CA-10A-3N (see data sheet 18325-70)
Lines bodies and standard assemblies	Please refer to section "Hydraulic integrated circuit" or consult factory
Seal kit <sup>2)</sup>	Code: RG10A3010520100 material no: R901111369
Fluids	Mineral-based or synthetics with lubricating properties at viscosities of 10 to 500 mm <sup>2</sup> /s (cSt)
Recommended degree of fluid contamination	Nominal value max. 10µm (NAS 8) / ISO 4406 19/17/14
Installation	No restrictions
Other Technical Data	See data sheet 18350-50

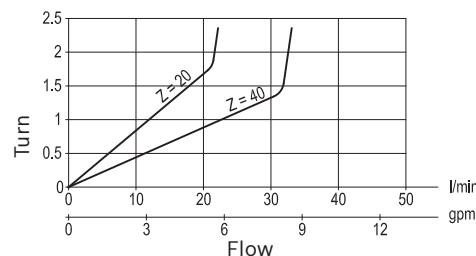
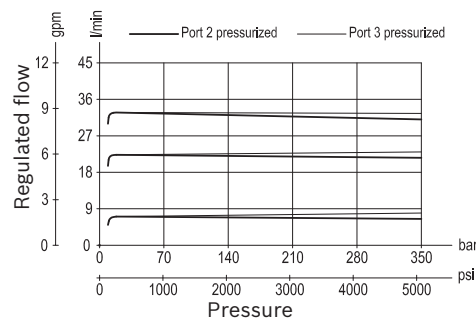
**Description**

A constant flow rate, regardless of system pressures, is established from 1 to 3 while a minimum pressure differential of 14 bar (200 psi) exists between the two ports. Input flow supplied to 1 in excess of the regulated output at 3 is by-passed to 2. Output flow can be varied from closed to the nominal maximum rating for the valve. Flow from 3 to 1 is limited by the diameter of the selected control orifice and is not pressure compensated. Flow from 2 to 1 is not permitted.



- 1) Standard version X=04 type
- 2) Only external seals for 10 valves

**Characteristic curve**



**Ordering code**

<b>04.04.02</b>	<b>X</b>	<b>85</b>	<b>Z</b>	<b>00</b>	<b>*</b>
-----------------	----------	-----------	----------	-----------	----------

Flow control, 3-way pressure compensated combination type fully adjustable

Series 0/A to L  
unchanged performances and dimensions

Version and options standard

Adjustments

**04** Handknob

**40** Calibrated handknob

	Regulated flow range l/min. (gpm)
<b>20</b>	0.1-20 (0.03-5.28)
<b>40</b>	0.2-30 (0.05-7.93)

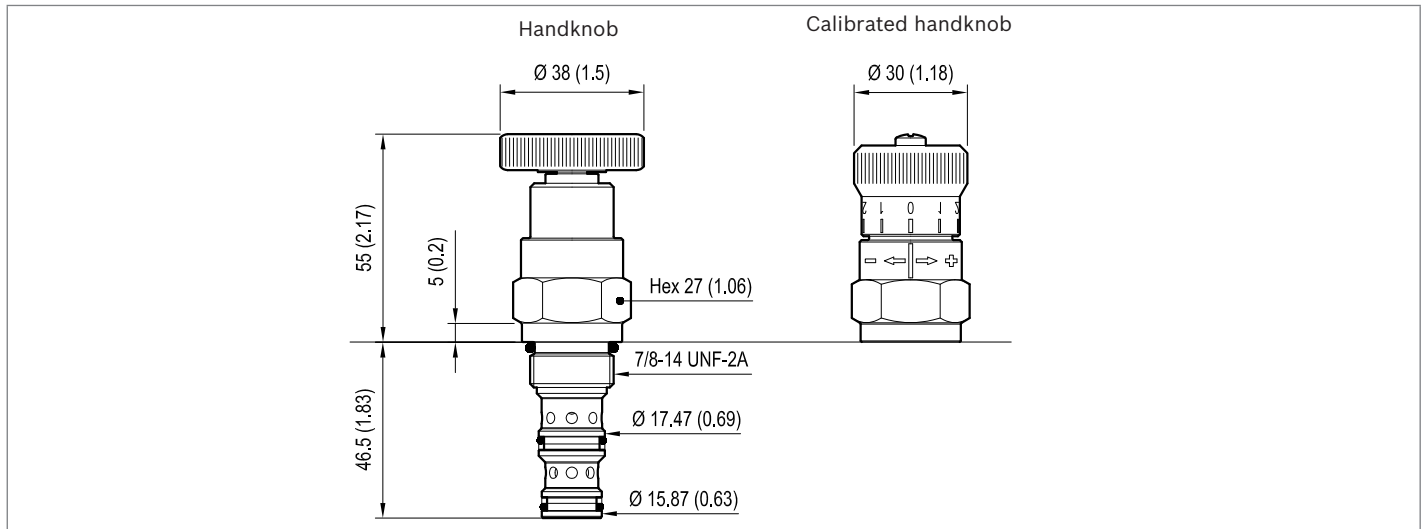
**85** Common cavity, Size 10

**Preferred types**

Type	Material number
04040204852000A	R930055365
04040204854000A	R930055362
04040240852000A	R930055366
04040240854000A	R930055363

Type	Material number

**Dimensions**



**Bosch Rexroth Oil Control S.p.A.**

Via Leonardo da Vinci 5  
P.O. Box no. 5  
41015 Nonantola – Modena, Italy  
Tel. +39 059 887 611  
Fax +39 059 547 848  
compact-hydraulics-cv@boschrexroth.com  
www.boschrexroth.com/compacthydraulics

© This document, as well as the data, specifications and other information set forth in it, are the exclusive property of Bosch Rexroth Oil Control S.p.a.. It may not be reproduced or given to third parties without its consent. The data specified above only serve to describe the product. No statements concerning a certain condition or suitability for a certain application can be derived from our information. The information given does not release the user from the obligation of own judgment and verification. It must be remembered that our products are subject to a natural process of wear and aging. Subject to change.