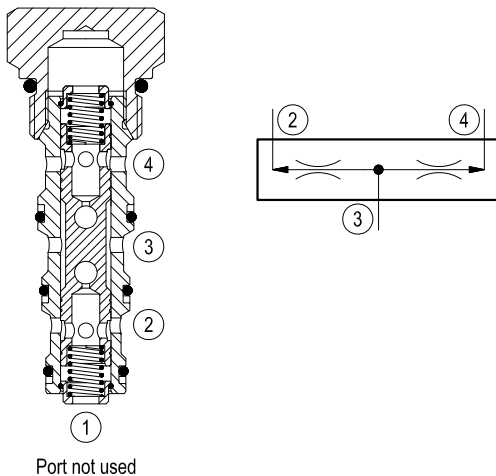


Flow divider

Common cavity, Size 10

DSDN-10A

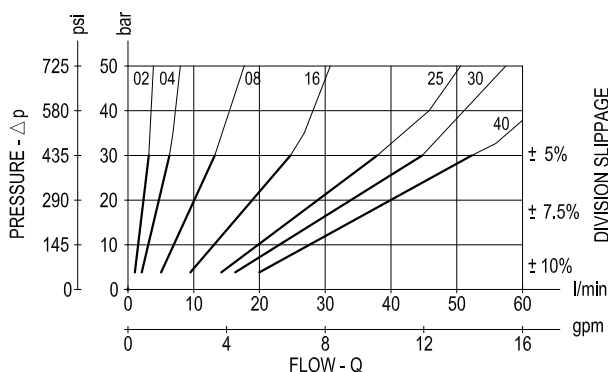
04.05.04.00.85 - Z



Description

Input flow at 3 will be divided and output equally to 2 and 4 independent of system pressures. Should either 2 or 4 become blocked in flow division mode, approximately 5% of the input flow will be transmitted to the open port. Flow combining is not permitted.

Performance



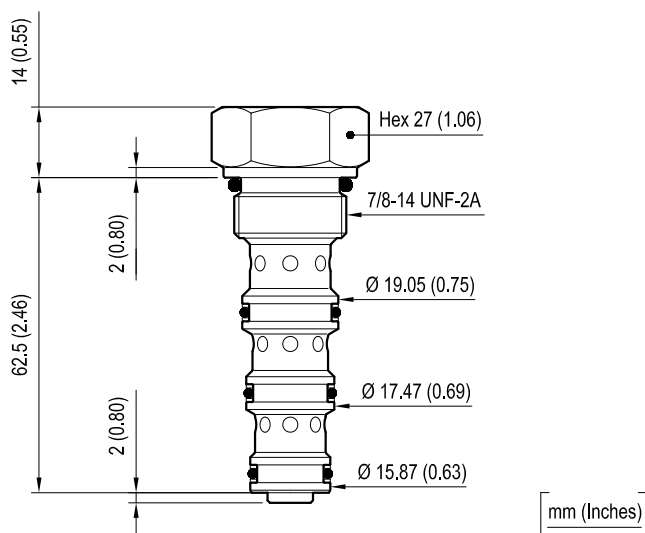
Technical data

Pressure min-max	bar (psi)	10-350 (145-5000)
Flow range	l/min. (gpm)	See "Range of total flow" table
Fluid temperature range	°C (°F)	-30 to 100 (-22 to 212)
Installation torque	Nm (ft-lbs)	41-47 (30-35)
Division ratio		50% - 50%
Weight	kg (lbs)	0.28 (0.62)
Cavity		CA-10A-4N see data sheet RE 18325-70
Seal kit (*)	code material no.	RG10A4010520100 R901111371
Fluids		Mineral-based or synthetics with lubricating properties at viscosities of 10 to 500 mm ² /s (cSt)
Filtration		Nominal value max. 10µm (NAS 8) ISO 4406 19/17/14
Installation		No restrictions
Other Technical Data		See data sheet RE 18350-50

(*) Only external seals for 10 valves

Slippage (tolerance) from theoretical divided flows: ±5% to ±10%, depending from inlet flow (see diagram).
 N.B. Slippage is lowest toward upper limit of nominal range.

Dimensions



Ordering code

04.05.04.00	85	Z	00	*
-------------	----	---	----	---

Flow divider

Common cavity, Size 10

Series 0/A to L
unchanged performances and dimensions

Version and options standard

	Range of total flow l/min. (gpm)
= 02	1-3 (0.26-0.79)
= 04	2-6 (0.53-1.59)
= 08	5-13 (1.32-3.44)
= 16	9-24 (2.38-6.34)
= 25	14-37 (3.70-9.78)
= 30	16-44 (4.23-11.63)
= 40	20-54 (5.28-14.27)

Type	Material number
040504008502000	R901109840
040504008504000	R901109841
040504008508000	R901109843
040504008516000	R901109844
040504008525000	R901109845

Type	Material number
040504008530000	R901109846
040504008540000	R901109849