

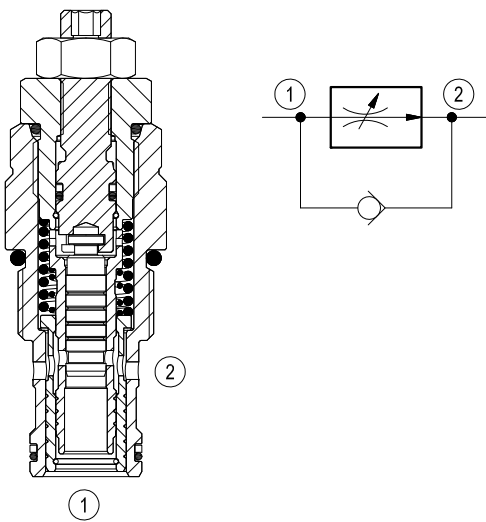
## Flow control valve, 2-way pressure compensated fully adjustable, free reverse flow

Common cavity, Size 12



VRFE-12A

04.07.01 - X - 57 - Z

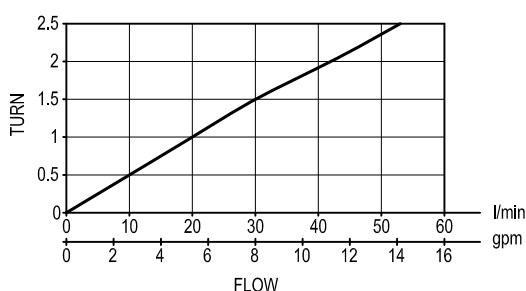
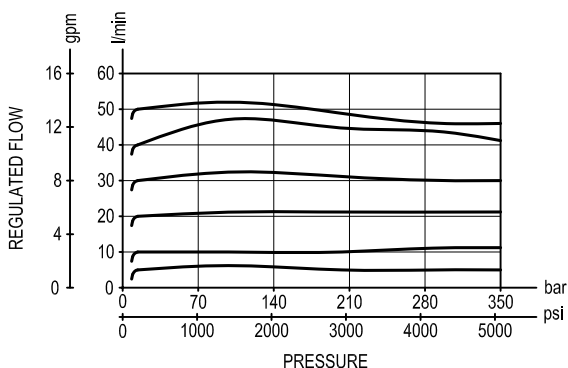


### Description

A constant flow rate, regardless of system pressures, is established from 1 to 2 while a minimum pressure differential of 14 bar (200 psi) exists between the two ports. Output flow can be varied from closed to the nominal maximum rating for the valve.

Free flow is permitted from 2 to 1, regardless of valve adjustment, by when pressure overcomes the spring bias of the valve check function.

### Performance

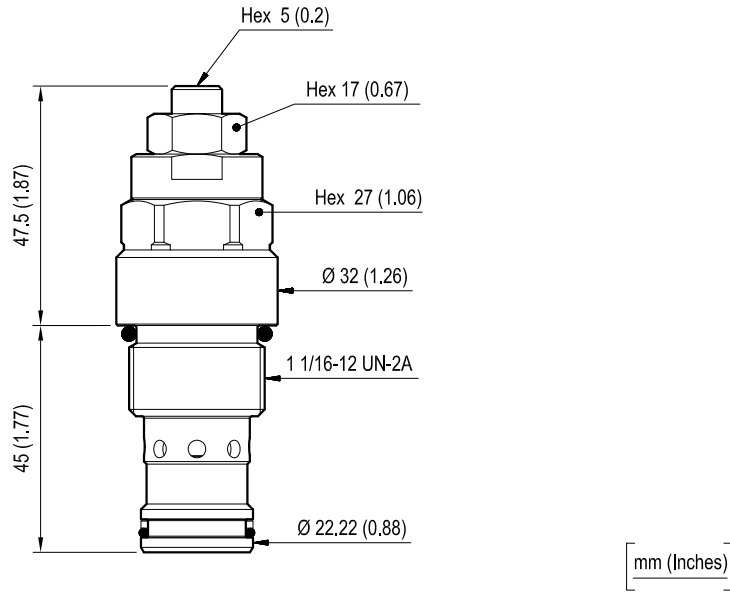


### Technical data

Pressure min-max	bar (psi)	14-350 (200-5000)
Flow range	l/min. (gpm)	See "Regulated flow range" table
Fluid temperature range	°C (°F)	-30 to 100 (-22 to 212)
Installation torque	Nm (ft-lbs)	81-95 (60-70)
Weight	kg (lbs)	0.30 (0.66)
Cavity		CA-12A-2N see data sheet RE 18325-70
Seal kit (*)	code material no.	RG12A2010520100 R901111377
Fluids		Mineral-based or synthetics with lubricating properties at viscosities of 10 to 500 mm <sup>2</sup> /s (cSt)
Filtration		Nominal value max. 10µm (NAS 8) ISO 4406 19/17/14
Installation		No restrictions
Other Technical Data		See data sheet RE 18350-50

(\*) Only external seals for 10 valves

### Dimensions



### Ordering code

04.07.01	X	57	Z	00	*
----------	---	----	---	----	---

Flow control valve, 2-way pressure compensated fully adjustable, free reverse flow

Adjustments  
= 03 Leakproof hex. socket screw

Common cavity, Size 12

Series 0/A to L  
unchanged performances and dimensions

Version and options standard

	Regulated flow range l/min. (gpm)
= 50	1-50 (0.26-13.2)

Type	Material number
040701035750000	R930000009

Type	Material number