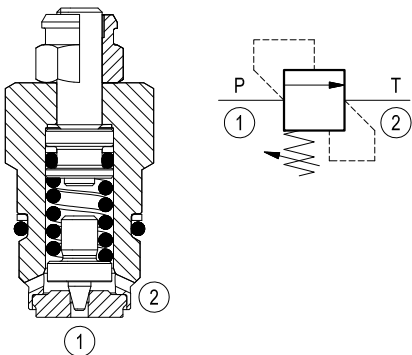


Relief, direct acting poppet type

Special cavity, 348

VS-5-CN

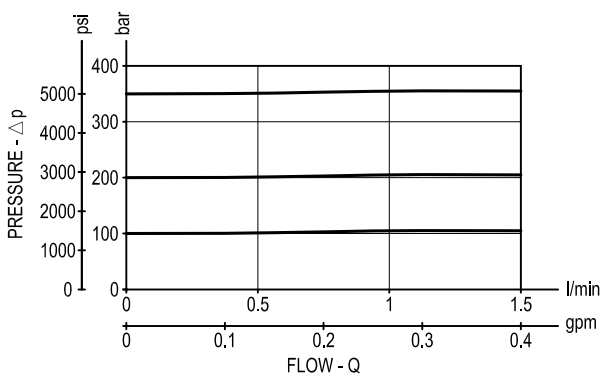
04.11.58 - X - 99 - Z



Description

Flow is blocked from 1 to 2 until pressure increases to meet the selected valve setting, lifting the poppet from its seat and allowing relief flow through 2 to tank. Pressure at 2 is additive to the relief setting of the valve. The cartridge is suitable only for pilot or thermal relief applications.

Performance



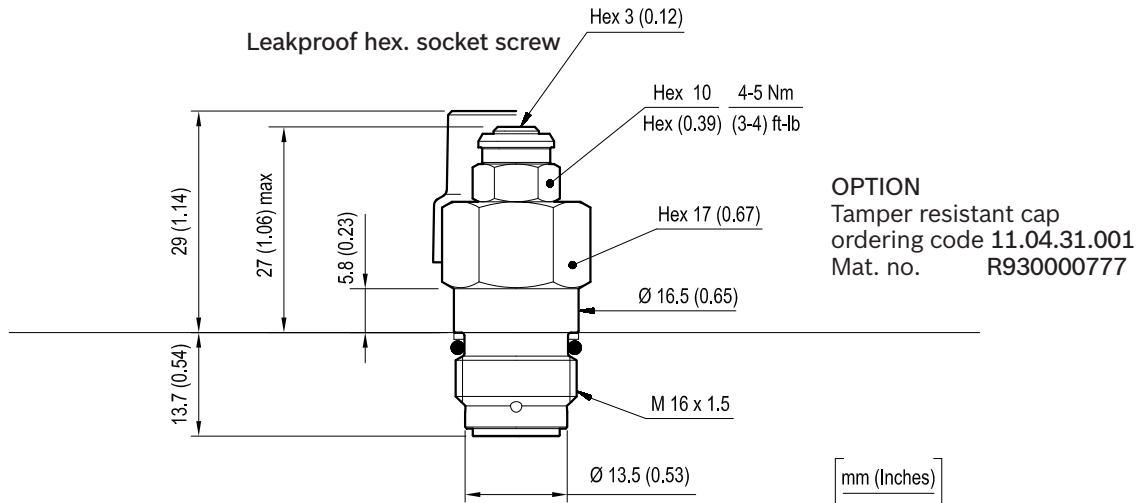
Technical data

Max. operating pressure	bar (psi)	460 (6600)
Max. flow	l/min. (gpm)	1.5 (0.4)
Max. internal leakage (*)	drops/min.	15
Fluid temperature range	°C (°F)	-30 to 100 (-22 to 212)
Installation torque	Nm (ft-lbs)	27-33 (20-24)
Weight	kg (lbs)	0.05 (0.11)
Special cavity		348 see data sheet RE 18325-75
Seal kit (**)	code material no.	RG0348010520100 R930001669
Fluids		Mineral-based or synthetics with lubricating properties at viscosities of 10 to 500 mm ² /s (cSt)
Filtration		Nominal value max. 10µm (NAS 8) ISO 4406 19/17/14
Installation		No restrictions
Other Technical Data		See data sheet RE 18350-50

(*) at 80% of pressure setting

(**) Only external seals for 10 valves

Dimensions



Ordering code

04.11.58	X	99	Z	00	*
----------	---	----	---	----	---

Series 0/A to L
unchanged performances and dimensions

Relief, direct acting poppet type

Version and options standard

Adjustments

= 03 Leakproof hex. socket screw

SPRINGS			
	Adj. press. range bar (psi)	Pressure increase bar/turn (psi/turn)	Std. setting bar (psi) cracking pressure
= 10	25-100 (350-1450)	40 (580)	100 (1450)
= 20	100-200 (1450-2900)	73 (1059)	200 (2900)
= 35	200-350 (2900-5000)	167 (2422)	350 (5000)
= 46	350-460 (5000-6600)	228 (3306)	350 (5000)

Note: Special settings available. Contact factory authorized representative for ordering code

Type	Material number
04115803991000A	R901098796
041158039920000	R901113594
041158039935000	R901113597
041158039946000	R901098895

Type	Material number