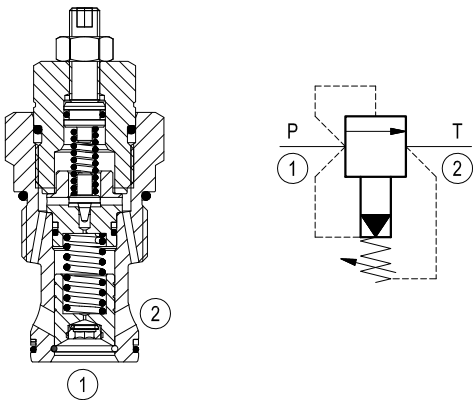


Relief, pilot operated spool type

Common cavity, Size 16

VSPN-16A

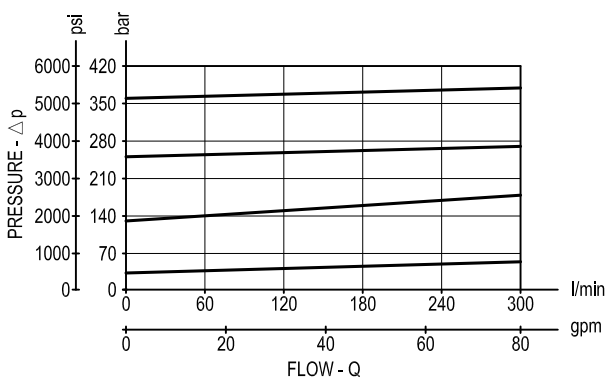
04.12.11 - X - 27 - Z



Description

Flow is blocked from 1 to 2 until pressure increases to meet the selected valve setting, lifting the conical, pilot-stage poppet from its seat. This action exhausts oil above the main-stage piston (spool type), allowing it to shift and provide relief flow through 2 to tank. Pressure at 2 is additive to the relief setting of the valve. Pilot operation is protected from contamination by a filter screen at the bottom of the main piston.

Performance



Technical data

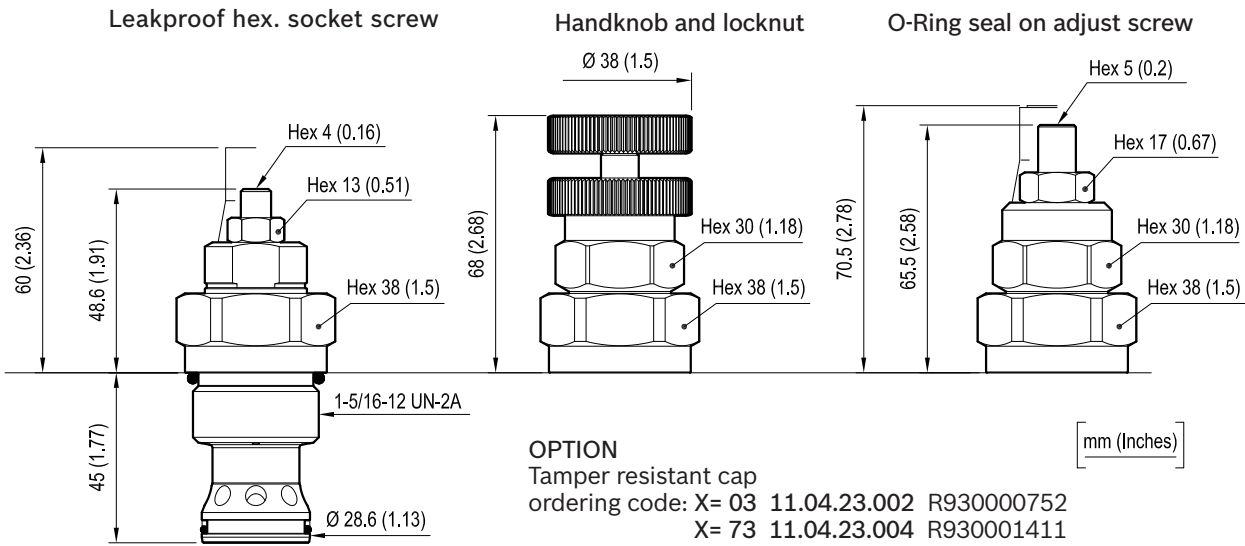
Max. operating pressure port 1 (P)	bar (psi)	420 (6000)
Max. pressure admitted port 2 (T)	bar (psi)	140 (2000)
Flow range	l/min. (gpm)	8-300 (2-79)
Max. internal leakage (*)	cm ³ /min. (cu.in./min.)	350 (21)
Fluid temperature range	°C (°F)	-30 to 100 (-22 to 212)
Installation torque	Nm (ft-lbs)	108-122 (80-90)
Weight (**)	kg (lbs)	0.45 (0.99)
Cavity		CA-16A-2N see data sheet RE 18325-70
Seal kit (***)	code material no.	RG16A2010520100 R901111386
Fluids		Mineral-based or synthetics with lubricating properties at viscosities of 10 to 500 mm ² /s (cSt)
Filtration		Nominal value max. 10µm (NAS 8) ISO 4406 19/17/14
Installation		No restrictions
Other general technical data		See data sheet RE 18350-50

(*) Measured at 200 bar (2900 psi)

(**) Standard version X=03 type

(***) Only external seals for 10 valves

Dimensions



Ordering code

04.12.11	X	27	Z	00	*
----------	---	----	---	----	---

Relief, pilot operated spool type

Adjustments

- = 03 Leakproof hex. socket screw
- = 04 Handknob and locknut
- = 73 O-Ring seal on adjust screw

Common cavity, Size 16

Series 0/A to L
 unchanged performances and dimensions

Version and options standard

		SPRINGS		
		Adj. pressure range bar (psi)	Pres. increase bar/turn (psi/turn)	Std. setting bar (psi) Q=5 l/min
for X=03	= 10	35-140 (500-2000)	48 (696)	100 (1450)
	= 20	70-280 (1000-4000)	88 (1276)	200 (2900)
	= 35	140-420 (2000-6000)	140 (2030)	350 (5000)
for X=04	= 35	35-350 (500-5000)	66 (957)	350 (5000)
for X=73	= 35	35-350 (500-5000)	66 (957)	350 (5000)

Note: Special settings available. Contact factory authorized representative for ordering code

Type	Material number
041211032710000	R930001025
041211032720000	R930001026
041211032735000	R930001027
041211042735000	R930001024
041211732735000	R930001028

Type	Material number