

Relief, pilot operated spool type external drain

Common cavity, Size 10

VSPY-10A

04.13.05 - X - 85 - Z

RE 18318-12

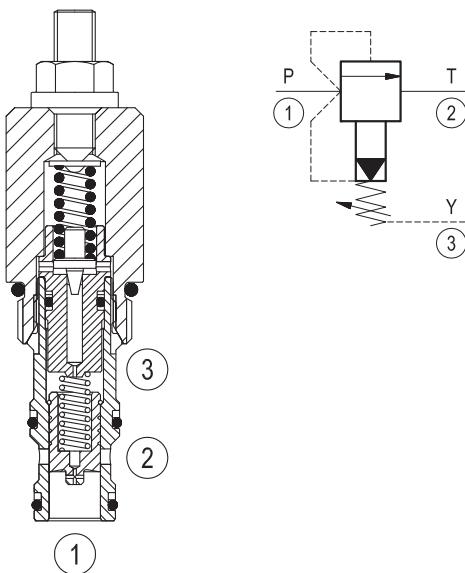
Edition: 03.2016

Replaces: 05.2010



Description

Flow is blocked from 1 to 2 until pressure increases to meet the selected valve setting, lifting the conical, pilot-stage poppet from its seat. This action exhausts oil above the main-stage piston (spool type), allowing it to shift and provide relief flow through 2 to tank. The spring chamber is drained to tank at 3 allowing a consistent relief setting independent of back-pressure at 2.



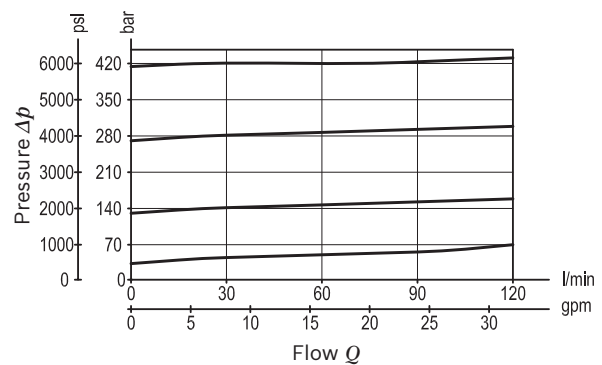
Technical data

Max. operating pressure port 1 (P) and 2 (T)	420 bar (6000 psi)
Max. pressure admitted port 3 (Y)	140 bar (2000 psi)
Flow range	3 - 120 l/min (1 - 32 gpm)
Max. internal leakage ¹⁾	200 cm ³ /min. (12 cu.in./min.)
Fluid temperature range	-30 to 100 °C (-22 to 212 °F)
Installation torque	41 - 47 Nm (30 - 35 ft-lbs)
Weight	0.21 kg (0.46 lbs)
Cavity	CA-10A-3N (see data sheet 18325-70)
Lines bodies and standard assemblies	Please refer to section "Hydraulic integrated circuit" or consult factory
Seal kit ²⁾	Code: RG10A3010520100 material no: R901111369
Fluids	Mineral-based or synthetics with lubricating properties at viscosities of 10 to 500 mm ² /s (cSt)
Recommended degree of fluid contamination	Nominal value max. 10µm (NAS 8) / ISO 4406 19/17/14
Installation position	No restrictions
Other Technical Data	See data sheet 18350-50

1) Measured at 200 bar (2900 psi)

2) Only external seals for 10 valves

Characteristic curve



Ordering code

04.13.05	X	85	Z	00	*
-----------------	----------	-----------	----------	-----------	----------

Relief, pilot operated spool type
external drain

Adjustments

03 Leakproof hex. socket screw

04 Handknob and locknut

85 Common cavity, Size 10

Series 0/A to L
unchanged performances and dimensions

Version and options standard

		SPRINGS		
		Adj. press. range bar (psi)	Pressure increase bar/turn (psi/turn)	Std. setting bar (psi) Q=5 l/min
for X= 03	10	35-140 (500-2000)	48 (696)	100 (1450)
	20	70-280 (1000-4000)	88 (1276)	200 (2900)
	35	140-420 (2000-6000)	140 (2030)	350 (5000)
for X= 04	35	35-350 (500-5000)	68 (986)	350 (5000)

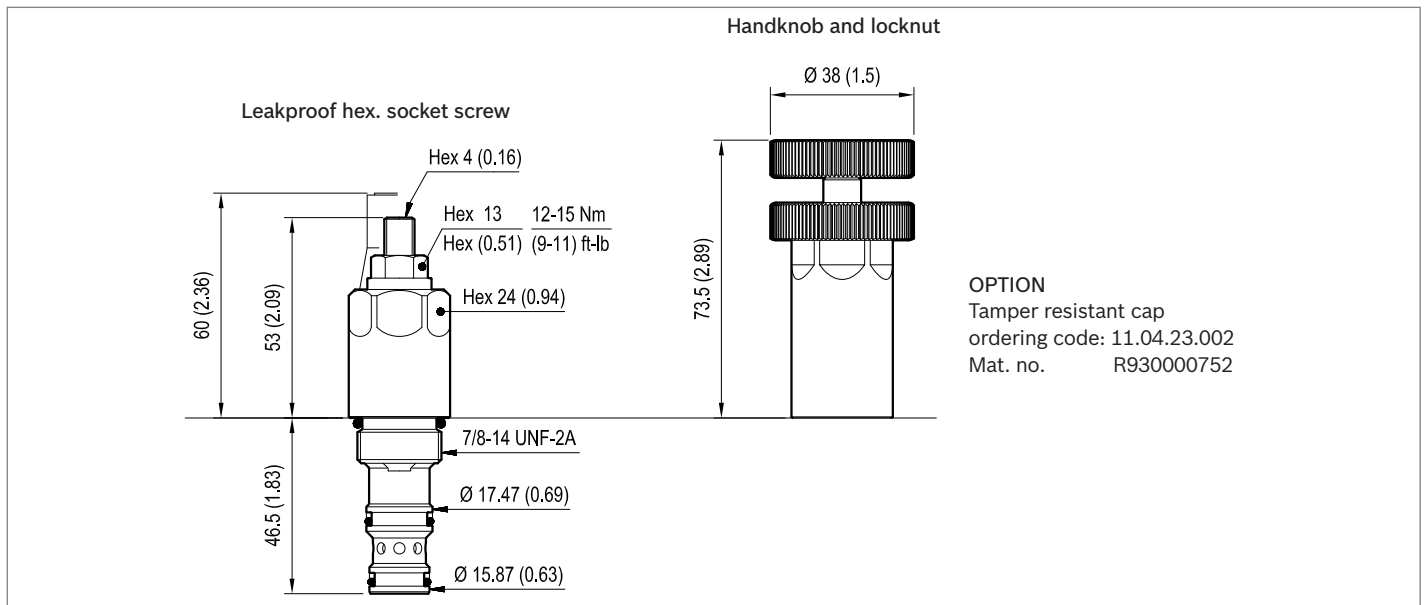
Note: Special settings available. Contact factory authorized representative for ordering code.

Preferred types

Type	Material number
041305038510000	R901106472
041305038520000	R901097730
041305038535000	R901106473
041305048535000	R930005674

Type	Material number

Dimensions



Bosch Rexroth Oil Control S.p.A.

Via Leonardo da Vinci 5
P.O. Box no. 5
41015 Nonantola – Modena, Italy
Tel. +39 059 887 611
Fax +39 059 547 848
compact-hydraulics-cv@boschrexroth.com
www.boschrexroth.com/compacthydraulics

© This document, as well as the data, specifications and other information set forth in it, are the exclusive property of Bosch Rexroth Oil Control S.p.a.. It may not be reproduced or given to third parties without its consent. The data specified above only serve to describe the product. No statements concerning a certain condition or suitability for a certain application can be derived from our information. The information given does not release the user from the obligation of own judgment and verification. It must be remembered that our products are subject to a natural process of wear and aging. Subject to change.