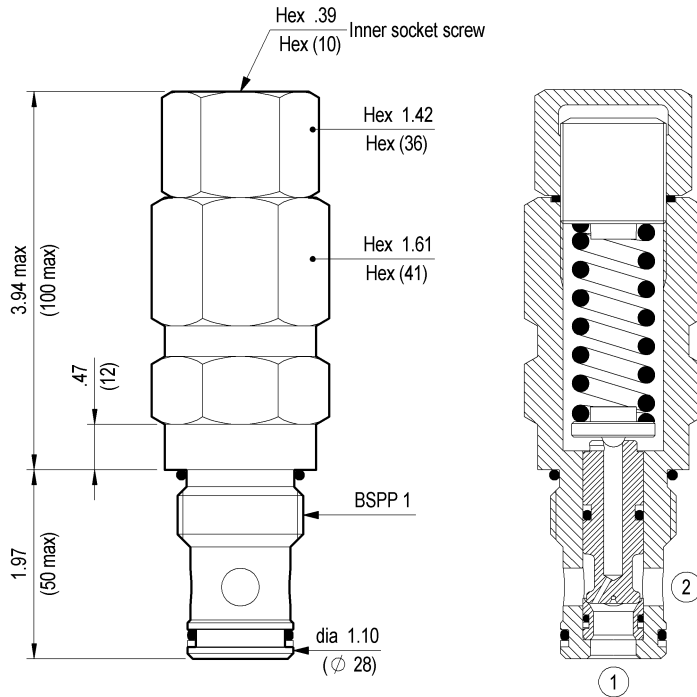




**RELIEF, DIRECT ACTING POPPET TYPE
DIFFERENTIAL AREA
SPECIAL CAVITY**

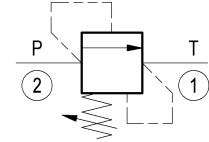
VSD-250

04.15.03 - X - 99 - Z



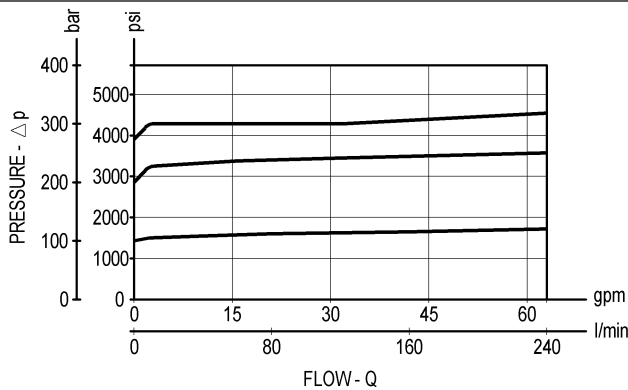
Inches
(mm)

Flow is blocked from 2 to 1 until pressure increases to meet the selected valve setting, lifting the poppet from its seat and allowing relief flow through 1 to tank. Pressure at 1 is additive to the relief setting of the valve. The combination of stable poppet design and hardened seat provide excellent response, hysteresis and leakage characteristics.



TECHNICAL DATA

Max. pressure:	5000 psi	(350 bar)
Max. flow:	63 gpm	(240 l/min)
Special cavity :	003 (see page CT.S.001.U)	
Installation torque :	154-173 ft-lb	(208-234 Nm)
Weight:	2.205 lbs	(1.000 Kg)



X ADJUSTMENTS

03	Leakproof inner hex. socket screw	
-----------	-----------------------------------	--

Z SPRINGS

Z	Adj. press. range psi (bar)	Press. increase psi / turn (bar/turn)	Standard setting psi (bar) (Q=5 l/min)	Ordering code	Color
10	500-1450 (35-100)	261 (18)	1450 (100)	03.51.01.068	blue
20	1000-3000 (70-210)	522 (36)	2900 (200)	03.51.01.067	green
35	1750-5000 (120-350)	899 (62)	5000 (350)	03.51.01.057	yellow

OPTIONS

Ordering code	Description
03.05.01.005	 Sealing cap

Special settings available. Contact factory authorized representative for ordering code.