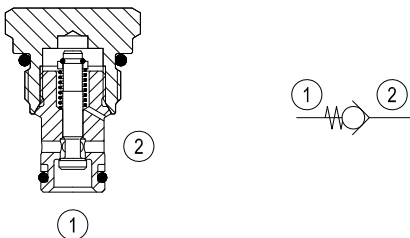


Check, poppet reverse type

Common cavity, Size 08

VURN-08A

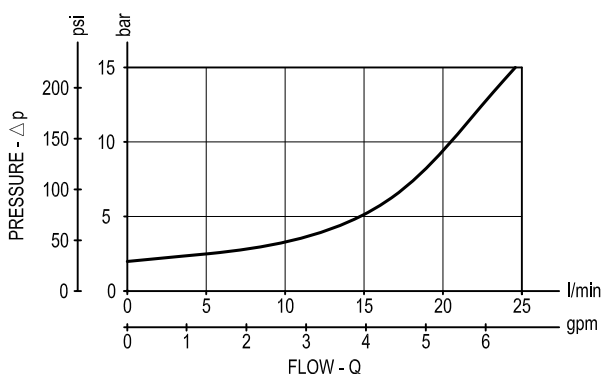
04.31.21.00.56 - Z



Description

When pressure at 2 rises above the spring bias pressure, the poppet is pushed from its seat and flow is allowed from 2 to 1. The valve is closed (checked) from 1 to 2. Precision machining and hardening processes allow virtually leak-free performance in the checked condition.

Performance

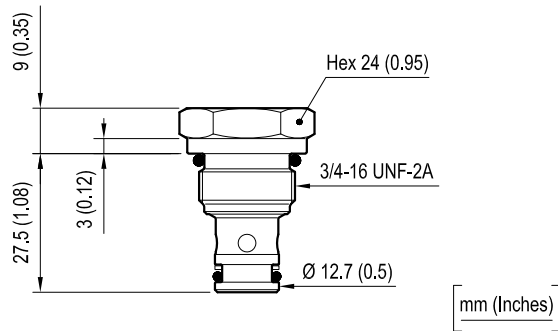


Technical data

Max. operating pressure	bar (psi)	420 (6000)
Max. flow	l/min. (gpm)	25 (7)
Max. internal leakage	drops/min.	5
Fluid temperature range	°C (°F)	-30 to 100 (-22 to 212)
Installation torque	Nm (ft-lbs)	34-41 (25-30)
Weight	kg (lbs)	0.13 (0.29)
Cavity		CA-08A-2N see data sheet RE 18325-70
Seal kit (*)	code material no.	RG08A2010520100 R901101437
Fluids		Mineral-based or synthetics with lubricating properties at viscosities of 5 to 800 mm ² /s (cSt)
Filtration		Nominal value max. 10µm (NAS 8) ISO 4406 19/17/14
Installation		No restrictions
Other Technical Data		See data sheet RE 18350-50

(*) Only external seals for 10 valves

Dimensions



Ordering code

04.31.21.00	56	Z	00	*
-------------	----	---	----	---

Check, poppet reverse type

Common cavity, Size 08

Series 0/A to L
unchanged performances and dimensions

Version and options standard

SPRINGS	
Cracking pressure bar (psi)	
= 02	2 (30)

Type	Material number
043121005602000	R901106619

Type	Material number