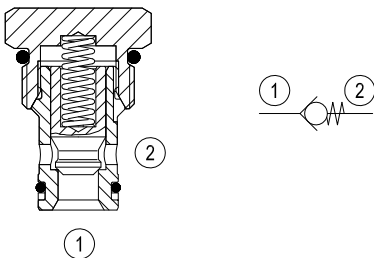


Check, poppet type

Common cavity, Size 10

VUCN-10A

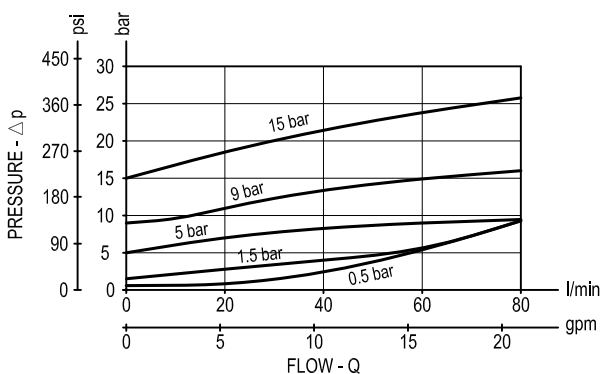
04.31.23.00.85 - Z



Description

When pressure at 1 rises above the spring bias pressure, the poppet is lifted and flow allowed from 1 to 2. The valve is closed (checked) from 2 to 1. Precision machining and hardening processes allow virtually leak-free performance in the checked condition.

Performance

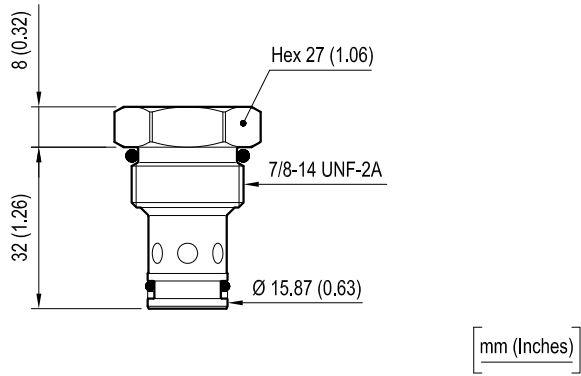


Technical data

Max. operating pressure	bar (psi)	350 (5000)
Max. flow	l/min. (gpm)	80 (21)
Max. internal leakage	drops/min.	5
Fluid temperature range	°C (°F)	-30 to 100 (-22 to 212)
Installation torque	Nm (ft-lbs)	41-47 (30-35)
Weight	kg (lbs)	0.15 (0.33)
Cavity		CA-10A-2N see data sheet RE 18325-70
Seal kit (*)	code material no.	RG10A2010520100 R901111363
Fluids		Mineral-based or synthetics with lubricating properties at viscosities of 15 to 800 mm ² /s (cSt)
Filtration		Nominal value max. 10µm (NAS 8) ISO 4406 19/17/14
Installation		No restrictions
Other Technical Data		See data sheet RE 18350-50

(*) Only external seals for 10 valves

Dimensions



Ordering code

04.31.23.00	85	Z	00	*
-------------	----	---	----	---

Check, poppet type

Common cavity, Size 10

Series O/A to L
unchanged performances and dimensions

Version and options standard

SPRINGS	
	Cracking pressure bar (psi)
= 00	0.5 (7.25)
= 01	1.4 (20)
= 05	5 (75)
= 09	9 (131)
= 15	15 (220)

Type	Material number
043123008500000	R901106596
043123008501000	R930005884
043123008505000	R901106601
043123008509000	R930000962
04312300851500A	R901106602

Type	Material number