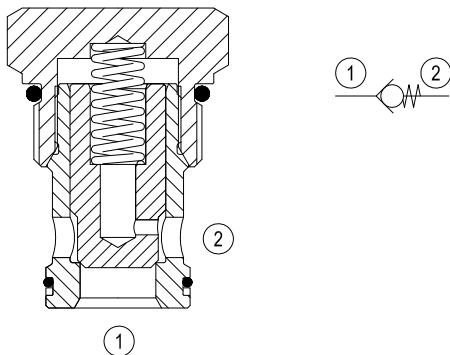


Check, poppet type

Common cavity, Size 16

VUCN-16A

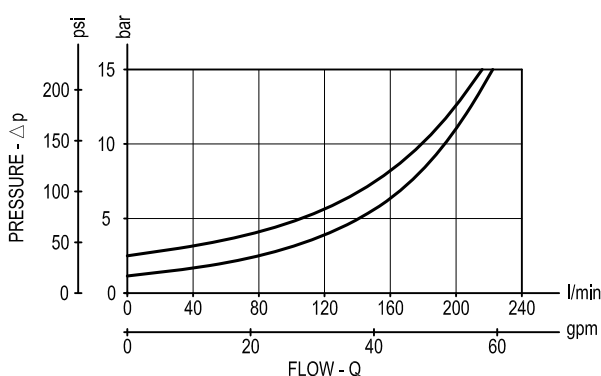
04.31.25.00.27 - Z



Description

When pressure at 1 rises above the spring bias pressure, the poppet is lifted and flow allowed from 1 to 2. The valve is closed (checked) from 2 to 1. Precision machining and hardening processes allow virtually leak-free performance in the checked condition.

Performance

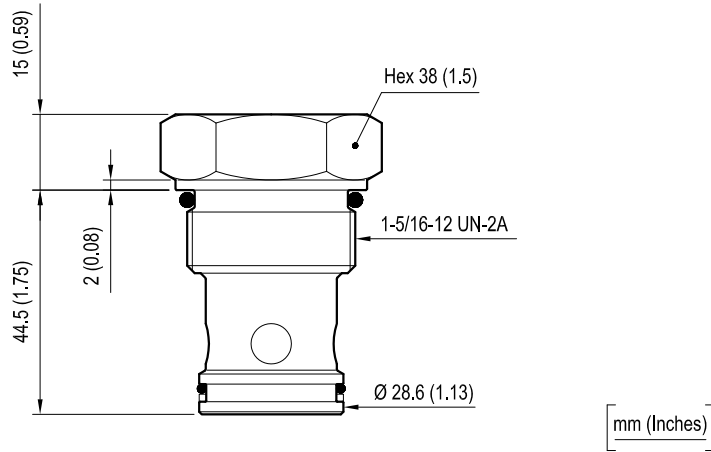


Technical data

Max. operating pressure	bar (psi)	350 (5000)
Max. flow	l/min. (gpm)	200 (53)
Max. internal leakage	drops/min.	5
Fluid temperature range	°C (°F)	-30 to 100 (-22 to 212)
Installation torque	Nm (ft-lbs)	108-122 (80-90)
Weight	kg (lbs)	0.27 (0.6)
Cavity		CA-16A-2N see data sheet RE 18325-70
Seal kit (**)	code material no.	RG16A2010520100 R901111386
Fluids		Mineral-based or synthetics with lubricating properties at viscosities of 5 to 800 mm ² /s (cSt)
Filtration		Nominal value max. 10µm (NAS 8) ISO 4406 19/17/14
Installation		No restrictions
Other Technical Data		See data sheet RE 18350-50

(*) Only external seals for 10 valves

Dimensions



Ordering code

04.31.25.00	27	Z	00	*
-------------	----	---	----	---

Check, poppet type

Common cavity, Size 16

Series 0/A to L
unchanged performances and dimensions

Version and options standard

SPRINGS	
	Cracking pressure bar (psi)
= A0	0.35 (5.1)
= 00	1 (15)
= 02	2 (30)
= 04	3.5 (51)

Type	Material number
0431250027A0000	R930004414
043125002700000	R901106616
043125002702000	R901106617
043125002704000	R930000481

Type	Material number