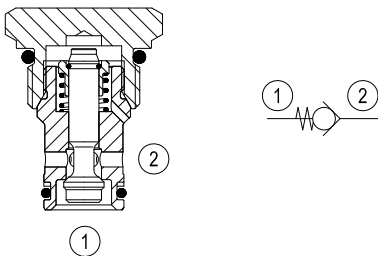


# Check, poppet reverse type

Common cavity, Size 10

VURN-10A

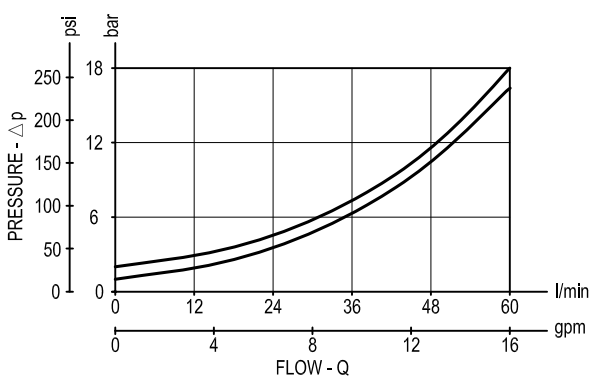
04.31.27.00.85 - Z



## Description

When pressure at 2 rises above the spring bias pressure, the poppet is pushed from its seat and flow is allowed from 2 to 1. The valve is closed (checked) from 1 to 2. Precision machining and hardening processes allow virtually leak-free performance in the checked condition.

## Performance

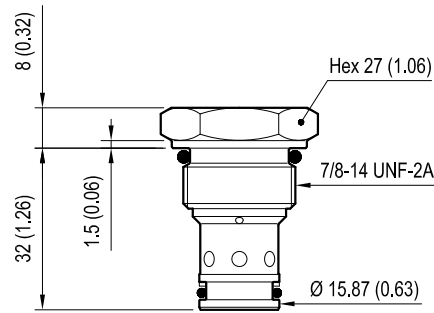


## Technical data

|                         |                      |   |
|-------------------------|----------------------|---|
| Max. operating pressure | bar (psi)            | 350 (5000)  |
| Max. flow               | l/min. (gpm)         | 60 (16)   |
| Max. internal leakage   | drops/min.           | 5   |
| Fluid temperature range | °C (°F)              | -30 to 100 (-22 to 212)   |
| Installation torque     | Nm (ft-lbs)          | 41-47 (30-35)   |
| Weight                  | kg (lbs)             | 0.12 (0.27)   |
| Cavity                  |                      | CA-10A-2N<br>see data sheet RE 18325-70   |
| Seal kit (*)            | code<br>material no. | RG10A2010520100<br>R901111363   |
| Fluids                  |                      | Mineral-based or synthetics<br>with lubricating properties at<br>viscosities of 5 to 800 mm <sup>2</sup> /s (cSt) |
| Filtration              |                      | Nominal value max. 10µm (NAS 8)<br>ISO 4406 19/17/14  |
| Installation            |                      | No restrictions   |
| Other Technical Data    |                      | See data sheet RE 18350-50  |

(\*) Only external seals for 10 valves

### Dimensions



mm (Inches)

### Ordering code

|             |    |   |    |   |
|-------------|----|---|----|---|
| 04.31.27.00 | 85 | Z | 00 | * |
|-------------|----|---|----|---|

Check, poppet reverse type

Common cavity, Size 10

Series 0/A to L  
unchanged performances and dimensions

Version and options standard

| SPRINGS                        |        |
|--------------------------------|--------|
| Cracking pressure<br>bar (psi) |        |
| = 00                           | 1 (15) |
| = 02                           | 2 (30) |

| Type            | Material number |
|-----------------|-----------------|
| 043127008500000 | R901106622      |
| 043127008502000 | R901106623      |
|                 |                 |
|                 |                 |
|                 |                 |

| Type | Material number |
|------|-----------------|
|      |                 |
|      |                 |
|      |                 |
|      |                 |