

Pilot operated check,
pilot to open
SUN cavity interchange, T-11A

VSON-08U

04.33.06 - X - 20 - Z

RE 18319-39

Edition: 03.2016

Replaces: 09.2009



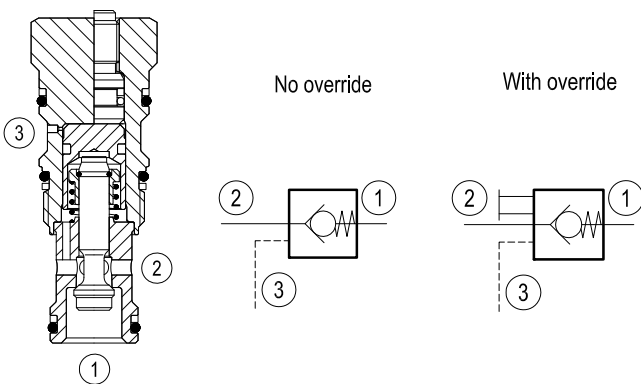
Technical data

Max. operating pressure	350 bar (5000 psi)
Max. flow	60 l/min. (16 gpm)
Pilot ratio	3.2:1
Max. internal leakage	5 drops/min.
Fluid temperature range	-30 to 100 °C (-22 to 212 °F)
Installation torque	40 - 50 Nm (30 - 37 ft-lbs)
Weight	0.12 kg (0.27 lbs)
Cavity	SUN T-11A
Lines bodies and standard assemblies	Please refer to section "Hydraulic integrated circuit" or consult factory
Seal kit ¹⁾	Code: RG08U9020110100 material no: R901193388
Fluids	Mineral-based or synthetics with lubricating properties at viscosities of 5 to 800 mm ² /s (cSt)
Recommended degree of fluid contamination	Nominal value max. 10µm (NAS 8) / ISO 4406 19/17/14
Installation position	No restrictions
Other Technical Data	See data sheet 18350-50

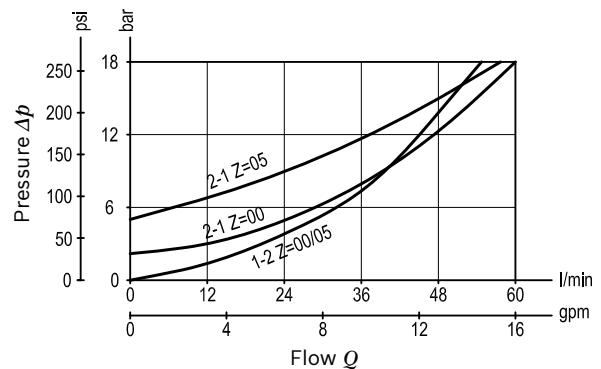
Description

When pressure at 2 rises above the spring bias pressure, the poppet is pushed from its seat and flow is allowed from 2 to 1. The valve is normally closed (checked) from 1 to 2. When sufficient pilot pressure is present at port 3, the pilot piston acts to push the poppet from its seat and flow is allowed from 1 to 2. Precision machining and hardening processes allow virtually leak-free performance in the checked condition. Available with "manual override" option.

¹⁾ Only external seals for 10 valves



Characteristic curve



Ordering code

04.33.06	X	20	Z	00	*
-----------------	----------	-----------	----------	-----------	----------

Pilot operated check, pilot to open

Version and options standard

Series 0/A to L
unchanged performances and dimensions

Options

00	No O-Ring, no manual override
10	With O-Ring, no manual override
01	No O-Ring, with manual override
11	With O-Ring, with manual override

SPRINGS	
	Cracking pressure bar (psi)
00	2 (30)
05	5 (73)

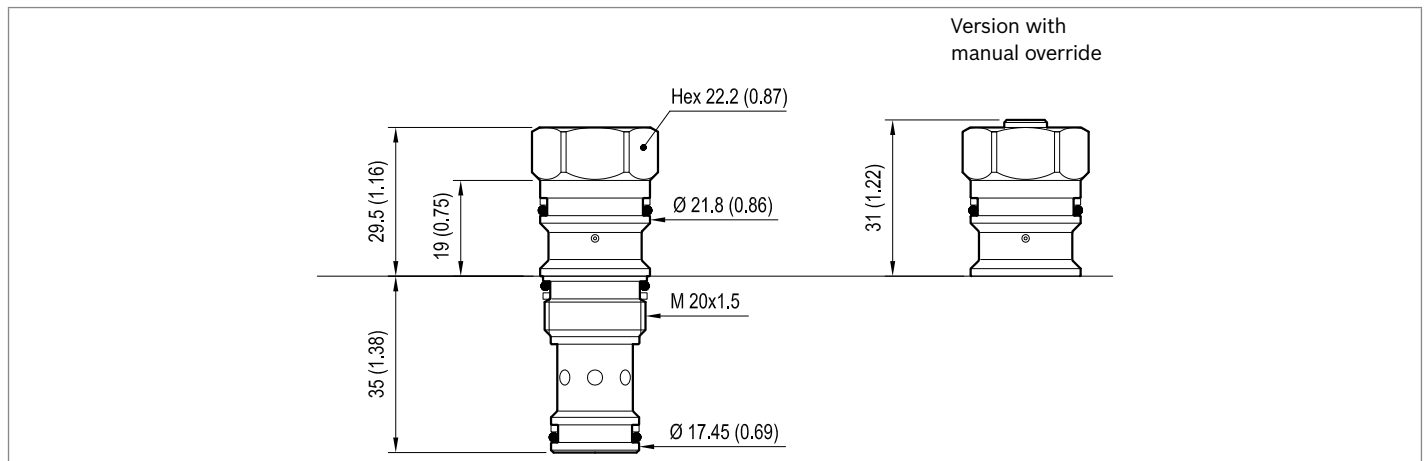
20 SUN cavity interchange, SUN T-11A

Preferred types

Type	Material number
04330600200000A	R901106637
04330610200000A	R901104068
043306012000000	R930005647
043306112000000	R930001975

Type	Material number
043306002005000	R930056986
043306102005000	R930056987
043306012005000	R930056988
043306112005000	R930056989

Dimensions



Bosch Rexroth Oil Control S.p.A.

Via Leonardo da Vinci 5
P.O. Box no. 5
41015 Nonantola – Modena, Italy
Tel. +39 059 887 611
Fax +39 059 547 848
compact-hydraulics-cv@boschrexroth.com
www.boschrexroth.com/compacthydraulics

© This document, as well as the data, specifications and other information set forth in it, are the exclusive property of Bosch Rexroth Oil Control S.p.a.. It may not be reproduced or given to third parties without its consent. The data specified above only serve to describe the product. No statements concerning a certain condition or suitability for a certain application can be derived from our information. The information given does not release the user from the obligation of own judgment and verification. It must be remembered that our products are subject to a natural process of wear and aging. Subject to change.