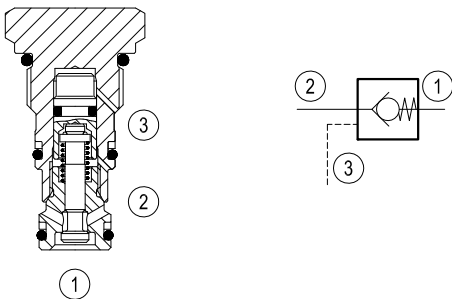


Pilot operated check, pilot to open

Common cavity, Size 08

VSON-08A

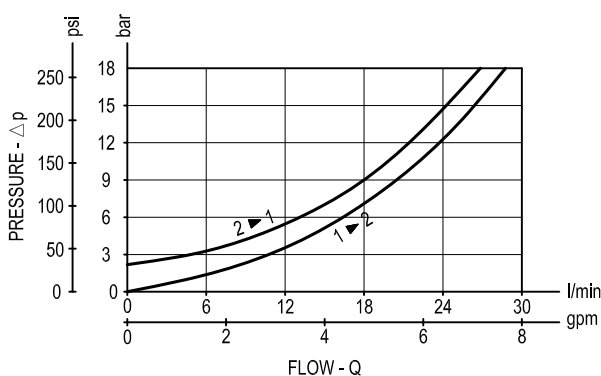
04.33.06 - X - 56 - Z



Description

When pressure at 2 rises above the spring bias pressure, the poppet is pushed from its seat and flow is allowed from 2 to 1. The valve is normally closed (checked) from 1 to 2. When sufficient pilot pressure is present at port 3, the pilot piston acts to push the poppet from its seat and flow is allowed from 1 to 2. Precision machining and hardening processes allow virtually leak-free performance in the checked condition.

Performance

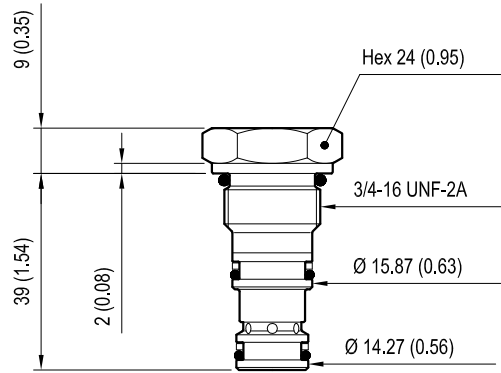


Technical data

Max. operating pressure	bar (psi)	350 (5000)
Max. flow	l/min. (gpm)	30 (8)
Pilot ratio		3:1
Max. internal leakage	drops/min.	5
Fluid temperature range	°C (°F)	-30 to 100 (-22 to 212)
Installation torque	Nm (ft-lbs)	34-41 (25-30)
Weight	kg (lbs)	0.12 (0.27)
Cavity		CA-08A-3C see data sheet RE 18325-70
Seal kit (*)	code material no.	RG08A9010520100 R901101592
Fluids		Mineral-based or synthetics with lubricating properties at viscosities of 5 to 800 mm ² /s (cSt)
Filtration		Nominal value max. 10µm (NAS 8) ISO 4406 19/17/14
Installation		No restrictions
Other Technical Data		See data sheet RE 18350-50

(*) Only external seals for 10 valves

Dimensions



mm (Inches)

Ordering code

04.33.06	X	56	Z	00	*
----------	---	----	---	----	---

Pilot operated check, pilot to open

O-Ring on pilot piston

- = 00 No O-Ring
- = 10 With O-Ring

Common cavity, Size 08

Series 0/A to L
unchanged performances and dimensions

Version and options standard

SPRINGS	
Cracking pressure bar (psi)	
= 00	2 (30)
= 05	5 (75)

Type	Material number
04330600560000A	R901106627
043306005605000	R930000982
04330610560000A	R901099896
043306105605000	R930000818

Type	Material number