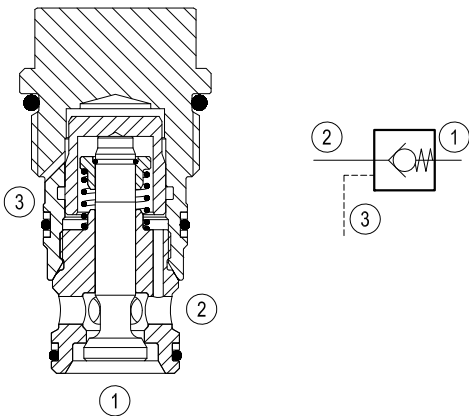


## Pilot operated check, pilot to open

Common cavity, Size 16

VSON-16A

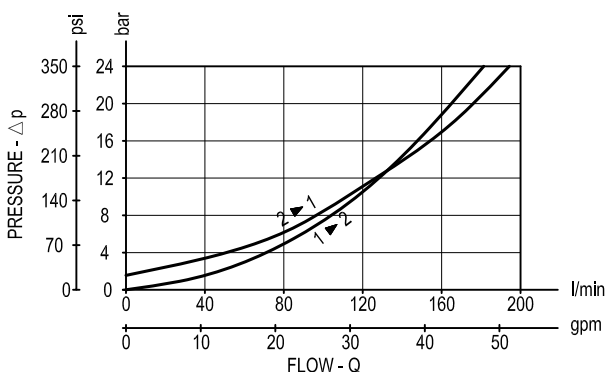
04.33.08 - X - 27 - Z



### Description

When pressure at 2 rises above the spring bias pressure, the poppet is pushed from its seat and flow is allowed from 2 to 1. The valve is normally closed (checked) from 1 to 2. When sufficient pilot pressure is present at port 3, the pilot piston acts to push the poppet from its seat and flow is allowed from 1 to 2. Precision machining and hardening processes allow virtually leak-free performance in the checked condition.

### Performance

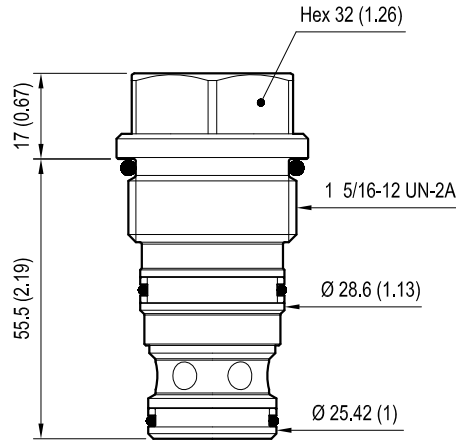


### Technical data

Max. operating pressure	bar (psi)	350 (5000)
Max. flow	l/min. (gpm)	200 (53)
Pilot ratio		3:1
Max. internal leakage	drop/min.	5
Fluid temperature range	°C (°F)	-30 to 100 (-22 to 212)
Installation torque	Nm (ft-lbs)	108-122 (80-90)
Weight	kg (lbs)	0.32 (0.71)
Cavity		CA-16A-3C see data sheet RE 18325-70
Seal kit (*)	code material no.	RG16A9010520100 R901111388
Fluids		Mineral-based or synthetics with lubricating properties at viscosities of 5 to 800 mm <sup>2</sup> /s (cSt)
Filtration		Nominal value max. 10µm (NAS 8) ISO 4406 19/17/14
Installation		No restrictions
Other Technical Data		See data sheet RE 18350-50

(\*) Only external seals for 10 valves

### Dimensions



mm (Inches)

### Ordering code

04.33.08	X	27	Z	00	*
----------	---	----	---	----	---

Pilot operated check, pilot to open

O-Ring on pilot piston

= 00 No O-Ring

= 10 With O-Ring

Common cavity, Size 16

Series 0/A to L  
unchanged performances and dimensions

Version and options standard

SPRINGS	
Cracking pressure bar (psi)	
= 00	1.5 (22)

Type	Material number
043308002700000	R901106635
043308102700000	R901106636

Type	Material number