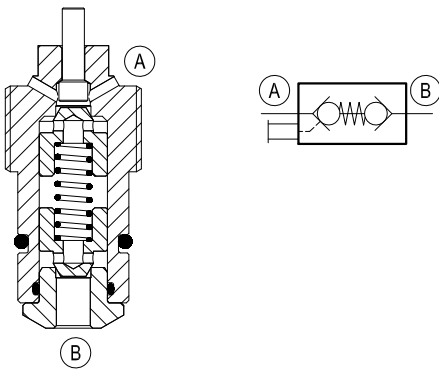


Check, double lock with mechanical pilot

Special cavity, 748

VU-DT-D7-CM

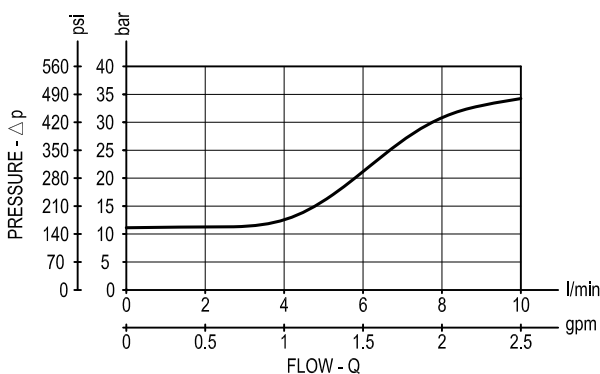
04.43.01.00.00 - Z



Description

Flow is normally locked in both directions. When pressure at B rises above the spring bias pressure, and when the mechanical pilot in A is operated, flow is allowed from B to A. VU-DT-D7-CM allows cylinders working in 'master-slave' circuits to self correct for volume tolerances at the end of working strokes.

Performance

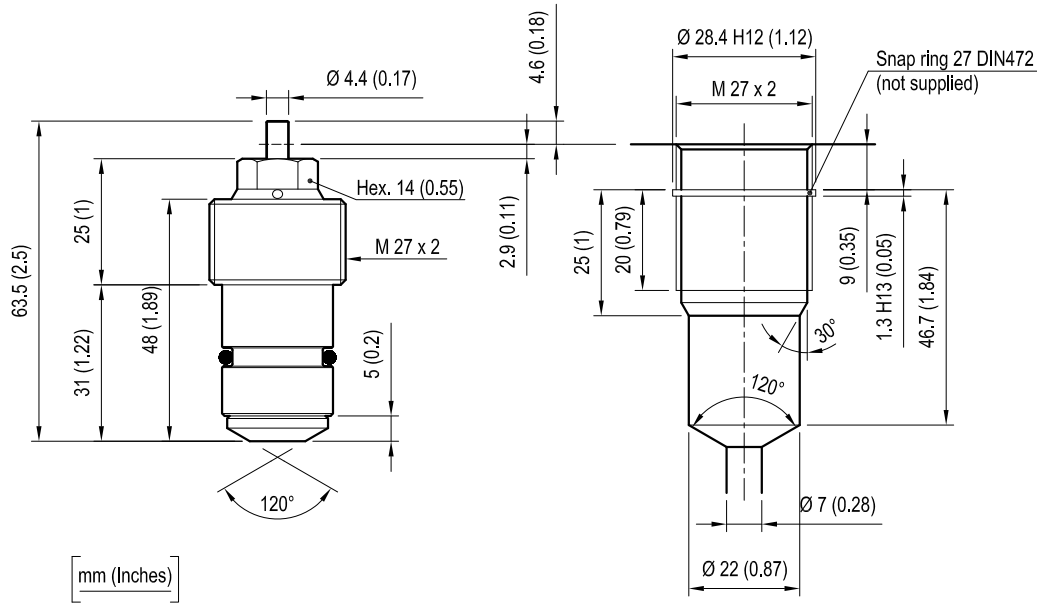


Technical data

Max. operating pressure	bar (psi)	350 (5000)
Max. flow	l/min. (gpm)	10 (2.5)
Max. internal leakage	drops/min.	5
Fluid temperature range	°C (°F)	-30 to 100 (-22 to 212)
Installation torque	Nm (ft-lbs)	80-90 (60-70)
Weight	kg (lbs)	0.14 (0.31)
Special cavity		748
Seal kit (*)	code material no.	RG0748010000100 R930002806
Fluids		Mineral-based or synthetics with lubricating properties at viscosities of 5 to 800 mm ² /s (cSt)
Filtration		Nominal value max. 10µm (NAS 8) ISO 4406 19/17/14
Installation		No restrictions
Other Technical Data		See data sheet RE 18350-50

(*) Only external seals for 10 valves

Dimensions



Ordering code

04.43.01.00.00	Z	00	*
----------------	---	----	---

Check, double lock with mechanical unblock

Special cavity, 748

Series 0/A to L unchanged performances and dimensions

Version and options standard

SPRINGS	
Cracking pressure bar (psi)	
=01	11 (160)

Type	Material number
044301000001000	R930000608

Type	Material number