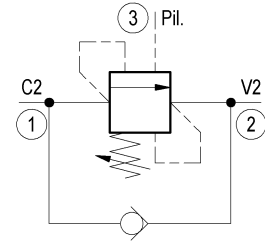
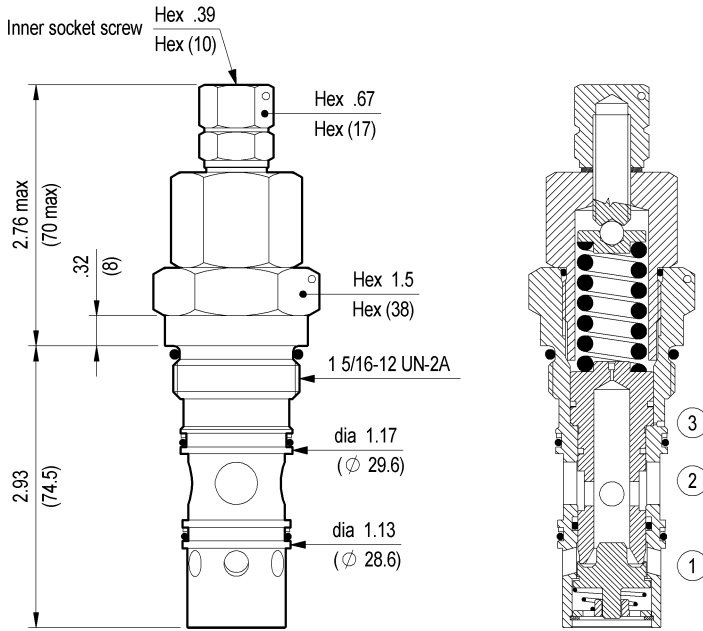




**COUNTERBALANCE, STANDARD POPPET TYPE
DIFFERENTIAL AREA
SPECIAL CAVITY**

VBSO-SEC-150

04.52.02 - X - 99 - Z



TECHNICAL DATA

Max. pressure: 5000 psi (350 bar)

Max. flow: 40 gpm (150 l/min)

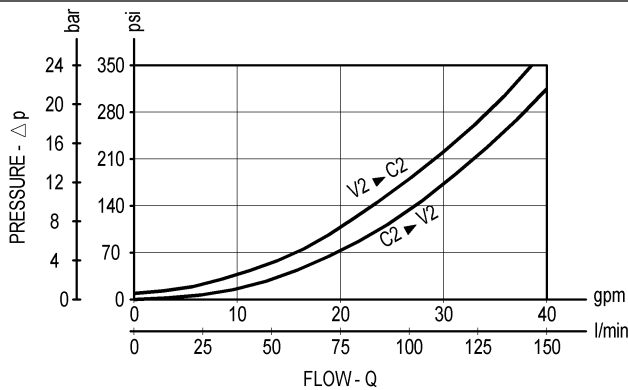
Special cavity : 059 (see page CT.S.002.U)

Installation torque : 105-114 ft-lb (142-154 Nm)

Weight: 1.323 lbs (0.600 Kg)

Pressure setting: at least 1.3 times the load induced pressure

When pressure at 2 rises above the spring bias pressure, the check seat is pushed away from the piston and flow is allowed from 2 to 1. When load pressure at 1 rises above the pressure setting, the direct-acting, differential area relief function is activated and flow is relieved from 1 to 2. With pilot pressure at 3, the pressure setting is reduced in proportion to the stated ratio of the valve, until fully open with free-flow from 1 to 2. The spring chamber is drained to 2, and any back-pressure at 2 is additive to the pressure setting in all functions.



X PILOT RATIO

03 4.6 : 1

Z

SPRINGS

| | Adj. press. range psi (bar) | Press. increase psi / turn (bar/turn) | Standard setting psi (bar) (Q=5 l/min) |
|-----------|-----------------------------|---------------------------------------|--|
| 20 | 870-3000 (60-210) | 812 (56) | 2900 (200) |
| 35 | 1450-5000 (100-350) | 1508 (104) | 5000 (350) |

OPTIONS

| Ordering code | Description |
|---------------|--------------------|
| 03.05.01.005 | <p>Sealing cap</p> |

Special settings available. Contact factory authorized representative for ordering code.