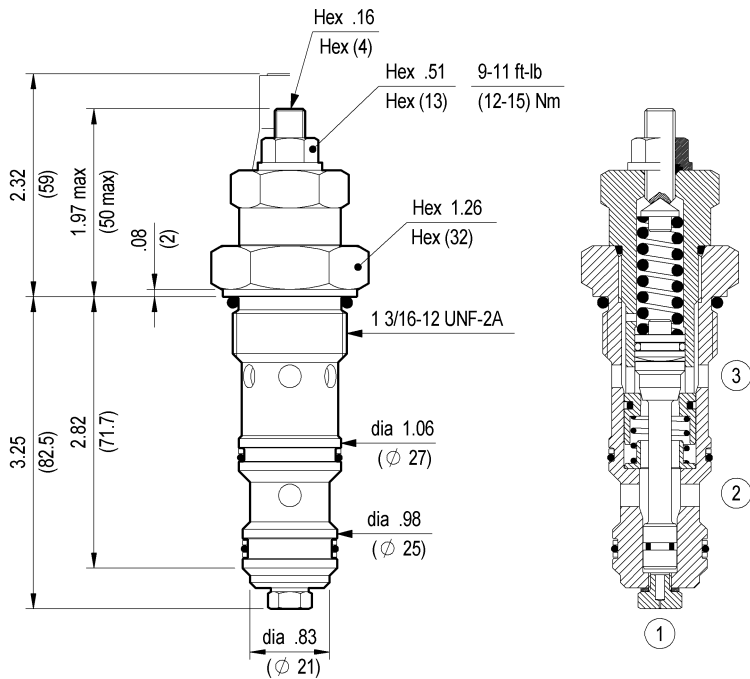


**COUNTERBALANCE, STANDARD POPPET TYPE
 DIFFERENTIAL AREA
 SPECIAL CAVITY**

VBSO-SEC-90

04.52.19 - X - 99 - Z



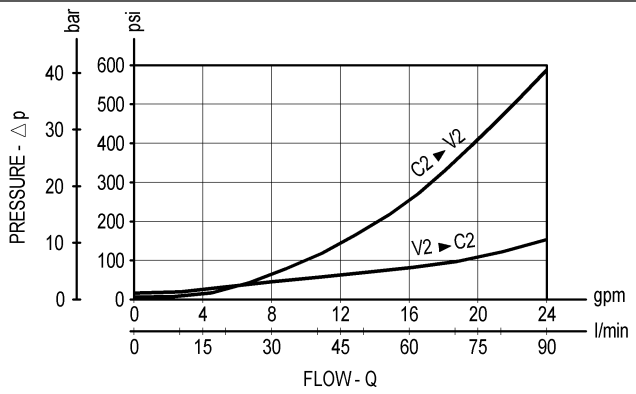
Inches
(mm)

When pressure at 3 rises above the spring bias pressure, the check seat is pushed away from the piston and flow is allowed from 3 to 2. When load pressure at 2 rises above the pressure setting, the direct-acting, differential area relief function is activated and flow is relieved from 2 to 3. With pilot pressure at 1, the pressure setting is reduced in proportion to the stated ratio of the valve, until fully open with free-flow from 2 to 3. The spring chamber is drained to 3, and any back-pressure at 3 is additive to the pressure setting in all functions.

TECHNICAL DATA

Max. pressure:	5000 psi	(350 bar)
Max. flow:	24 gpm	(90 l/min)
Special cavity :	625 (see page CT.S.003.U)	
Installation torque :	105-117 ft-lb	(142-158 Nm)
Weight:	1.323 lbs	(0.600 Kg)

Pressure setting: at least 1.3 times the load induced pressure



X	PILOT RATIO
03	4.2 : 1

Z	SPRINGS			
	Adj. press. range psi (bar)	Press. increase psi / turn (bar/turn)	Standard setting psi (bar) (Q=5 l/min)	
35	1450-5000 (100-350)	2001 (138)	5000 (350)	

OPTIONS	
Ordering code	Description
03.05.01.001	Sealing cap
11.04.23.002	Tamper resistant cap

Special settings available. Contact factory authorized representative for ordering code.