

Counterbalance, standard guided poppet type

Cavity interchange, A6610

VBSN-08HH

04.52.20 - X - 20 - Z

RE 18320-34

Edition: 08.2015

Replaces: 01.2006



Technical data

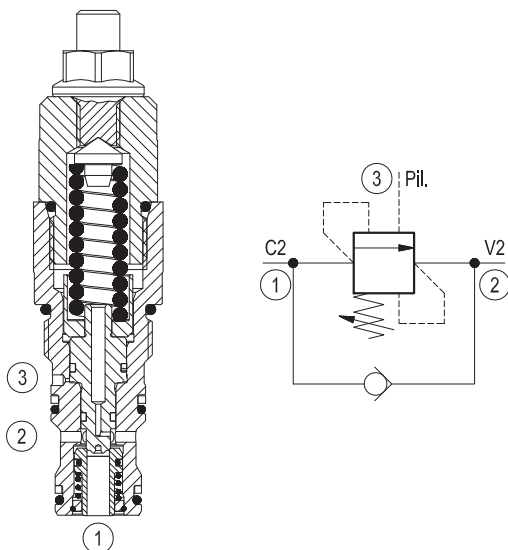
Max. operating pressure	350 bar (5000 psi)
Max. flow	30 l/min. (8 gpm)
Max. internal leakage ¹⁾	15 drops/min.
Fluid temperature range	-30 to 100 °C (-22 to 212 °F)
Installation torque	45 Nm (33 ft-lbs)
Weight	0.18 kg (0.4 lbs)
Cavity	IH A6610
Lines bodies and standard assemblies	Please refer to section "Hydraulic integrated circuit" or consult factory
Seal kit ²⁾	Code: RG08H9010520100 material no: R930005584
Fluids	Mineral-based or synthetics with lubricating properties at viscosities of 10 to 500 mm ² /s (cSt)
Recommended degree of fluid contamination	Nominal value max. 10µm (NAS 8) / ISO 4406 19/17/14
Installation position	No restrictions
Other Technical Data	See data sheet 18350-50

1) At 70% of pressure setting

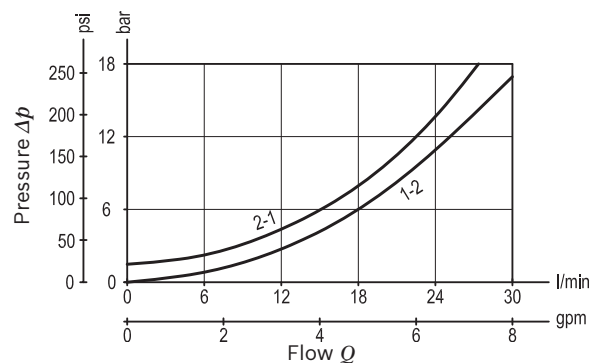
2) Only external seals for 10 valves

Description

When pressure at 2 rises above the spring bias pressure, the check seat is pushed away from the piston and flow is allowed from 2 to 1. When load pressure at 1 rises above the pressure setting, the direct-acting, relief function is activated and flow is relieved from 1 to 2. With pilot pressure at 3, the pressure setting is reduced in proportion to the stated ratio of the valve, until fully open with free-flow from 1 to 2. The spring chamber is drained to 2, and any back-pressure at 2 is additive to the pressure setting in all functions.



Characteristic curve



Ordering code

04.52.20	X	20	Z	00	*
-----------------	----------	-----------	----------	-----------	----------

Counterbalance,
standard guided poppet type

Pilot ratio

03 4:1

12 10:1

20 Cavity interchange, A6610

Series 0/A to L
unchanged performances and dimensions

Version and options standard

		SPRINGS		
		Adj. press. range bar (psi)	Pressure increase bar/turn (psi/turn)	Std. setting bar (psi) Q=5 l/min
for X= 03	20	100-210 (1450-3000)	109 (1581)	200 (2900)
	35	200-350 (2900-5000)	137 (1987)	350 (5000)
for X= 12	35	200-350 (2900-5000)	137 (1987)	350 (5000)

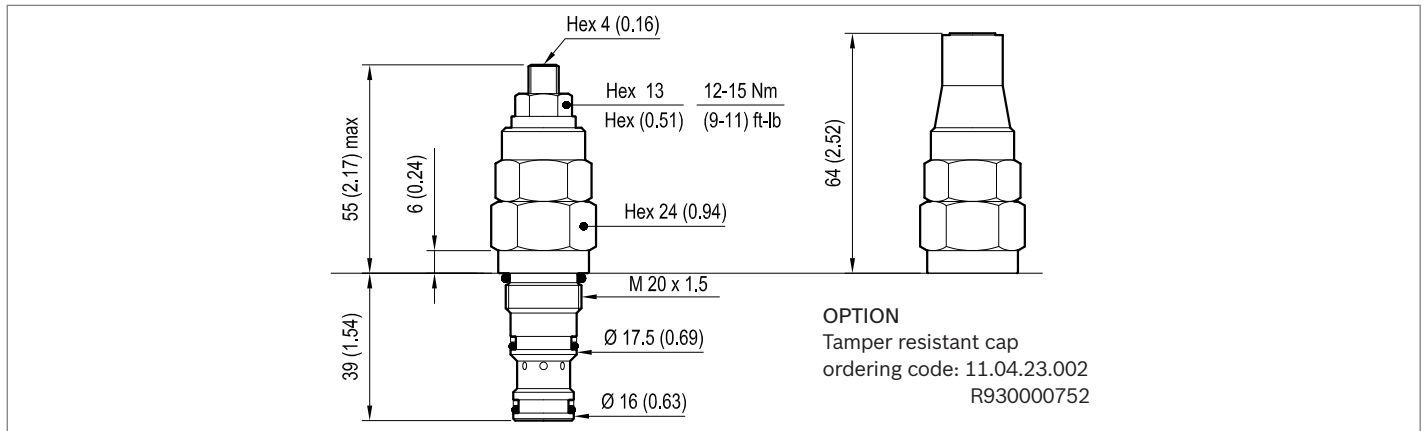
Note: Fixed setting version available on request.

Preferred types

Type	Material number
045220032020000	R901113641
045220032035000	R901113643
045220122035000	R901113645

Type	Material number

Dimensions



Bosch Rexroth Oil Control S.p.A.

Via Leonardo da Vinci 5
P.O. Box no. 5
41015 Nonantola – Modena, Italy
Tel. +39 059 887 611
Fax +39 059 547 848
compact-hydraulics-cv@boschrexroth.com
www.boschrexroth.com/compacthydraulics

© This document, as well as the data, specifications and other information set forth in it, are the exclusive property of Bosch Rexroth Oil Control S.p.a.. It may not be reproduced or given to third parties without its consent. The data specified above only serve to describe the product. No statements concerning a certain condition or suitability for a certain application can be derived from our information. The information given does not release the user from the obligation of own judgment and verification. It must be remembered that our products are subject to a natural process of wear and aging. Subject to change.