

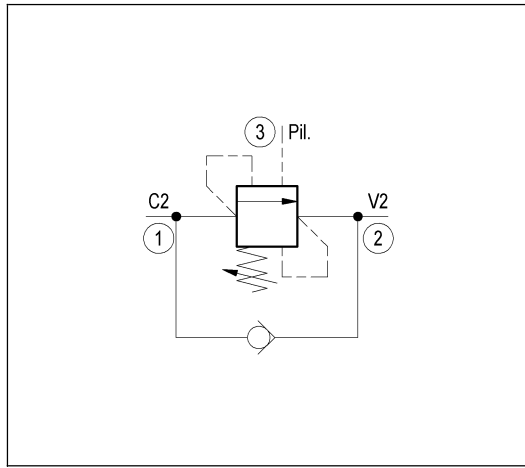
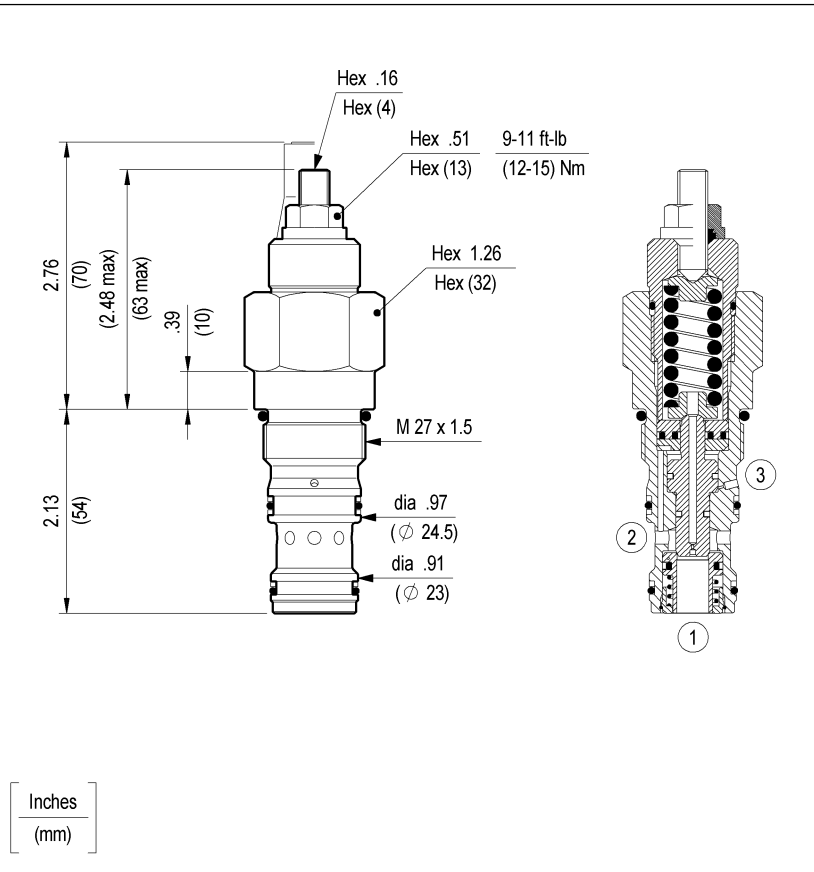


**COUNTERBALANCE, STANDARD POPPET TYPE
DIFFERENTIAL AREA
CAVITY INTERCHANGE**

VBSN-12H

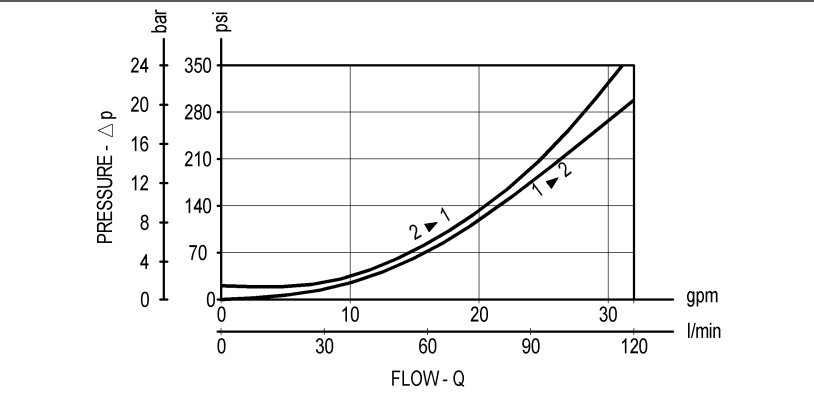
A12336

04.52.28 - X - 15 - Z



TECHNICAL DATA		
Max. pressure:	5000 psi	(350 bar)
Max. flow:	32 gpm	(120 l/min)
Cavity : INTEGRATED HYDRAULICS A12336		
External seal kit : see page A11.111		
Installation torque :	44 ft-lb	(60 Nm)
Weight:	0.860 lbs	(0.390 Kg)
Pressure setting: at least 1.3 times the load induced pressure		

When pressure at 2 rises above the spring bias pressure, the check seat is pushed away from the piston and flow is allowed from 2 to 1. When load pressure at 1 rises above the pressure setting, the direct-acting, differential area relief function is activated and flow is relieved from 1 to 2. With pilot pressure at 3, the pressure setting is reduced in proportion to the stated ratio of the valve, until fully open with free-flow from 1 to 2. The spring chamber is drained to 2, and any back-pressure at 2 is additive to the pressure setting in all functions.



X	PILOT RATIO
03	4 : 1
10	8 : 1

Z		SPRINGS		
		Adj. press. range psi (bar)	Press. increase psi / turn (bar/turn)	Standard setting psi (bar) (Q=5 l/min)
X = 03	20	1000-3000 (70-210)	725 (50)	2900 (200)
	35	2000-5000 (140-350)	2306 (159)	5000 (350)
X = 10	20	1000-3000 (70-210)	609 (42)	2900 (200)
	35	2000-5000 (140-350)	972 (67)	5000 (350)

OPTIONS	
Ordering code	Description
11.04.23.002	Tamper resistant cap
Special settings available. Contact factory authorized representative for ordering code.	