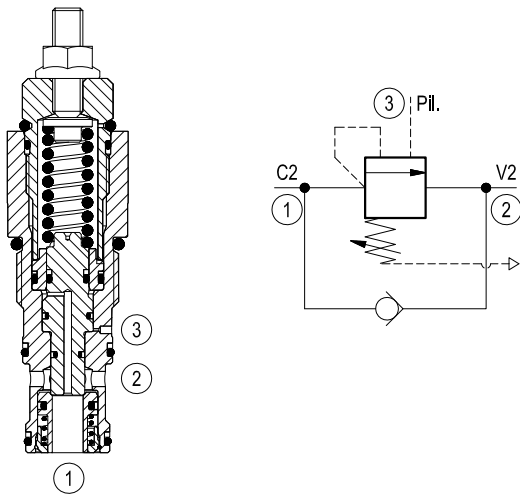


Counterbalance, vented guided poppet type

Common cavity, Size 12

VBST-12A

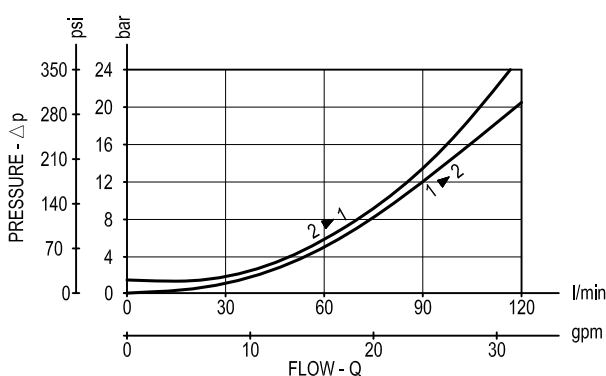
04.59.26 - X - 57 - Z



Description

When pressure at 2 rises above the spring bias pressure, the check seat is pushed away from the piston and flow is allowed from 2 to 1. When load pressure at 1 rises above the pressure setting, the direct-acting, relief function is activated and flow is relieved from 1 to 2. With pilot pressure at 3, the pressure setting is reduced in proportion to the stated ratio of the valve, until fully open with free-flow from 1 to 2. The spring chamber is vented to atmosphere allowing operation of all functions independent of back-pressure at 2.

Performance



Technical data

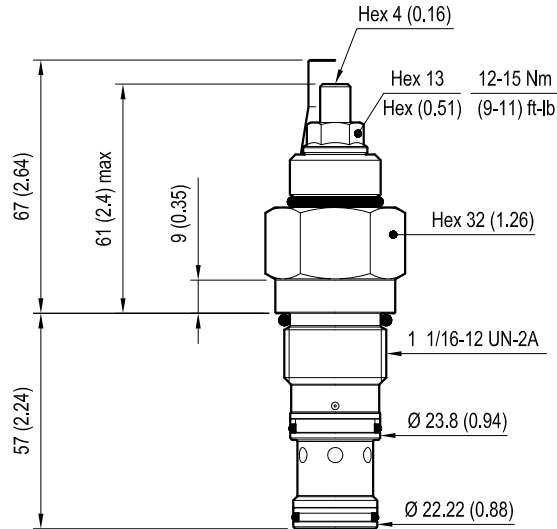
Max. operating pressure	bar (psi)	350 (5000)
Max. flow	l/min. (gpm)	120 (32)
Max. internal leakage (*)	drops/min.	15
Fluid temperature range	°C (°F)	-30 to 100 (-22 to 212)
Installation torque	Nm (ft-lbs)	81-95 (60-70)
Weight	kg (lbs)	0.39 (0.86)
Cavity		CA-12A-3C see data sheet RE 18325-70
Seal kit (**)	code material no.	RG12A9010520100 R901111379
Fluids		Mineral-based or synthetics with lubricating properties at viscosities of 10 to 500 mm ² /s (cSt)
Filtration		Nominal value max. 10µm (NAS 8) ISO 4406 19/17/14
Installation		No restrictions
Other Technical Data		See data sheet RE 18350-50

Pressure setting: at least 1.3 times the load induced pressure.

(*) At 70% of pressure setting

(**) Only external seals for 10 valves

Dimensions



OPTION
 Tamper resistant cap
 ordering code **11.04.23.002**
 Mat. no. **R930000752**

mm (Inches)

Ordering code

04.59.26	X	57	Z	00	*
----------	---	----	---	----	---

Counterbalance, vented guided poppet type

Pilot ratio
 = 03 4:1

Common cavity, Size 12

Series 0/A to L
 unchanged performances and dimensions

Version and options standard

	SPRINGS		
	Adj. press. range bar (psi)	Pressure increase bar/turn (psi/turn)	Std. setting bar (psi) Q=5 l/min
= 20	70-210 (1000-3000)	50 (725)	200 (2900)
= 35	140-350 (2000-5000)	159 (2306)	350 (5000)

Note: Special settings available. Contact factory authorized representative for ordering code

Type	Material number
045926035720000	R901109818
045926035735000	R901109819

Type	Material number