

Counterbalance, 4 port vented
poppet type external drain, counterclockwise adjustment
Sun cavity interchange, T-21A

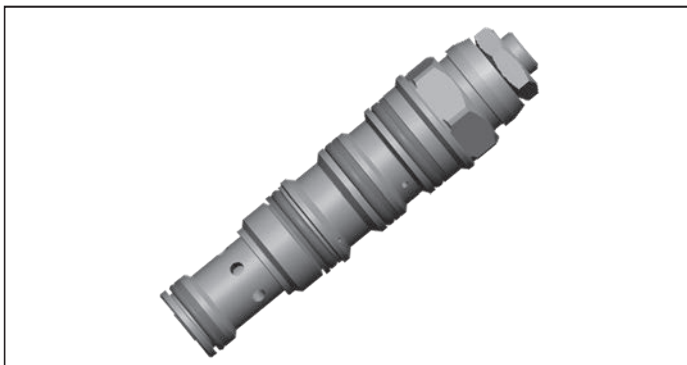
VBSY-08U-RS

04.59.32 - X - 20 - Z

RE 18320-26

Edition: 07.2023

Replaces: 01.2021



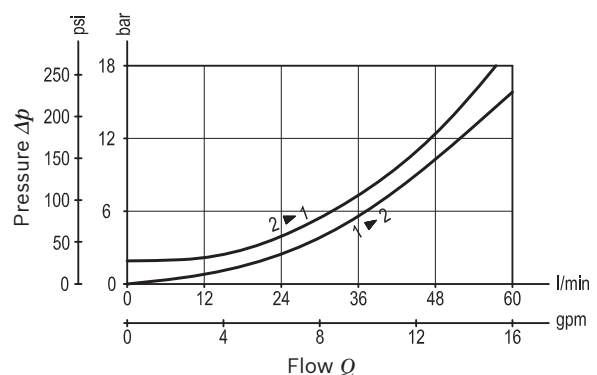
Technical data

Max. operating pressure	280 bar (4000 psi)
Max. flow	60 l/min (16 gpm)
Max. internal leakage ¹⁾	15 drops/min.
Fluid temperature range	-30 to 100 °C (-22 to 212 °F)
Installation torque	40 - 50 Nm (30 - 37 ft-lbs)
Weight	0.19 kg (0.42 lbs)
MTTFD	150 years see RE 18350-51
Cavity	SUN T-21A
Adjustment	according to ISO 4413 with sealed adjustment screw to prevent oil leakage during adjustment
Salt spray test	500h according to DIN EN ISO 9227:2017-07
Lines bodies and standard assemblies	Please refer to section "Hydraulic integrated circuit" or consult factory
Seal kit ²⁾	Code: RG08U4020110100 material no: R930001201
Fluids	Mineral-based or synthetics with lubricating properties at viscosities of 10 to 500 mm ² /s (cSt)
Recommended degree of fluid contamination	Nominal value max. 10µm (NAS 8) / ISO 4406 19/17/14
Installation position	No restrictions
Other Technical Data	See data sheet 18350-50

Pressure setting: at least 1.3 times the load induced pressure and maximum 1.5 times catalogue max nominal setting.

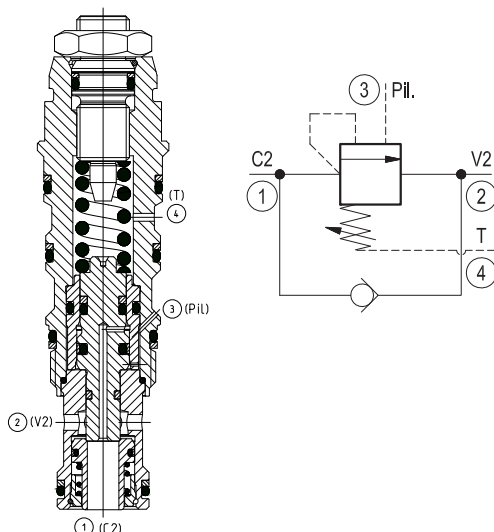
- 1) At 70% of pressure setting
- 2) Only external seals for 10 valves

Characteristic curve



Description

When pressure at 2 rises above the spring bias pressure, the check seat is pushed away from the piston and flow is allowed from 2 to 1. When load pressure at 1 rises above the pressure setting (turn counterclockwise to increase setting - turn clockwise to decrease setting), the direct-acting, relief function is activated and flow is relieved from 1 to 2. With pilot pressure at 3, the pressure setting is reduced in proportion to the stated ratio of the valve, until fully open with free-flow from 1 to 2. The spring chamber is vented to 4, allowing operation of all functions independent of back-pressure at 2. Any back-pressure at 4 is additive to the pressure setting in all functions. Valve design prevents spring going solid and complete unscrewing during adjusting.



Ordering code

04.59.32	X	20	Z	*	*
-----------------	----------	-----------	----------	----------	----------

Counterbalance, 4 port vented
poppet type external drain,
counterclockwise adjustment

Pilot ratio

03 3:1

20 SUN cavity interchange, T-21A

Series M to Z
unchanged performances and dimensions

00 Standard (Buna)
V0 Viton (FKM)

	SPRINGS		
	Adj. press. range bar (psi)	Pressure increase bar/turn (psi/turn)	Std. setting bar (psi) cracking pressure
15	25-175 (350-2500)	70 (1015)	175 (2500)
20	70-280 (1000-4000)	109 (1581)	280 (4000)

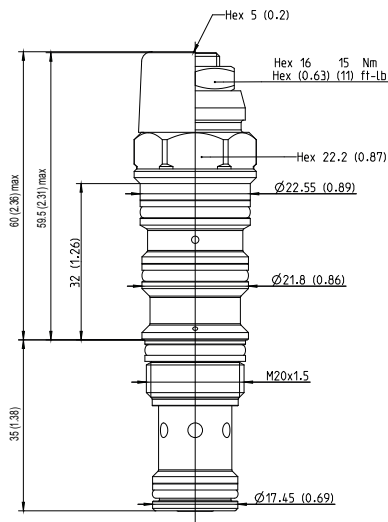
Note: Special settings available with optional tamperproof cap.
Contact factory authorized representative for ordering code.

Preferred types

Type	Material number
04593203201500M	R930081342
04593203202000M	R930081380

Type	Material number
045932032020V0M	R930081381

Dimensions



Turn adjustment clockwise to decrease setting
and release load

OPTION

Protection cap orange
Mat. no. R900168151

Tamper proof cap black
Mat. no. R930092782

Bosch Rexroth Oil Control S.p.A.

Via Leonardo da Vinci 5
P.O. Box no. 5
41015 Nonantola – Modena, Italy
Tel. +39 059 887 611
Fax +39 059 547 848
compact-hydraulics-cv@boschrexroth.com
www.boschrexroth.com/compacthydraulics

© This document, as well as the data, specifications and other information set forth in it, are the exclusive property of Bosch Rexroth Oil Control S.p.a.. It may not be reproduced or given to third parties without its consent. The data specified above only serve to describe the product. No statements concerning a certain condition or suitability for a certain application can be derived from our information. The information given does not release the user from the obligation of own judgment and verification. It must be remembered that our products are subject to a natural process of wear and aging. Subject to change.