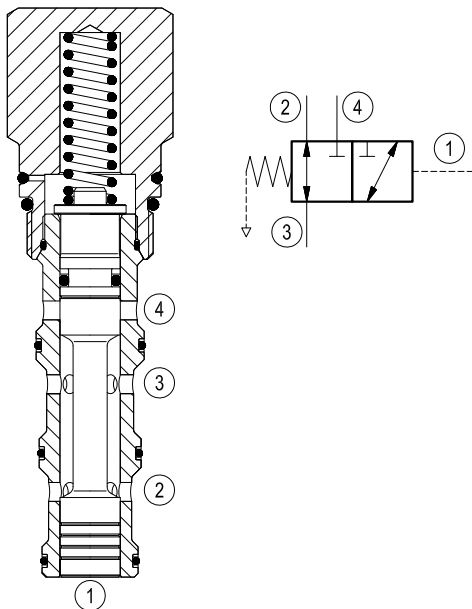
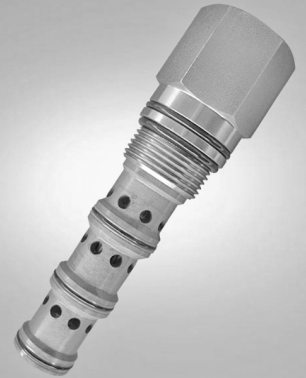


Directional spool type, direct acting external pilot external vent

Common cavity, Size 16

VDSJ-16A

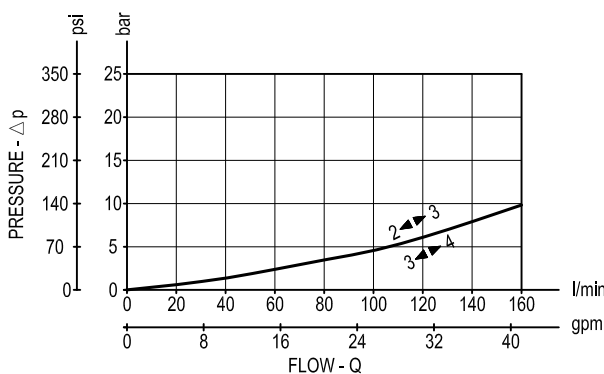
04.77.19 - X - 27 - Z



Description

Flow is allowed bi-directionally between 2 and 3, and blocked at 4 until pressure at 1 rises to overcome the spring bias against the spool. When this bias pressure is surpassed, the spool shifts, allowing bi-directional flow between 3 and 4 while blocking 2. The spring chamber is sealed and vented to atmosphere, allowing consistent shifting with only spring bias pressure independent of conditions at 2 or 3.

Performance



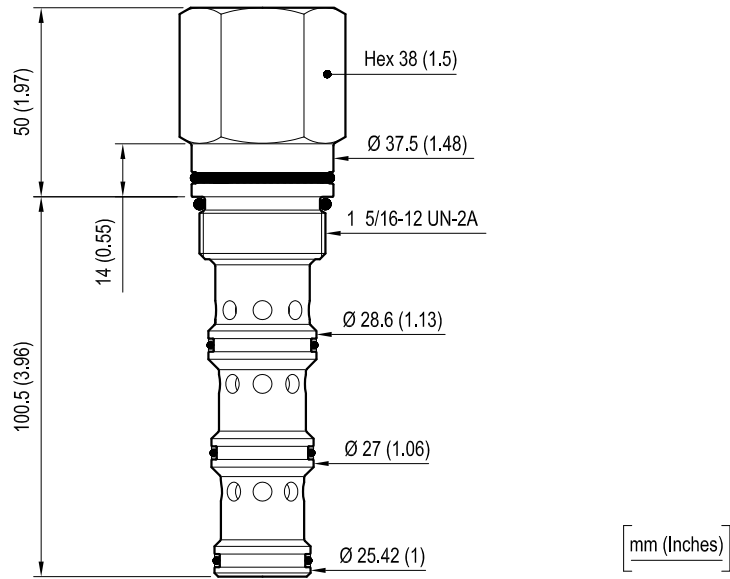
Technical data

Max. operating pressure	bar (psi)	350 (5000)
Max. flow	l/min. (gpm)	160 (43)
Max. internal leakage (*)	cm ³ /min. (cu.in./min.)	80 (5)
Pilot displacement volume	cm ³ (in ³)	1.61 (0.1)
Fluid temperature range	°C (°F)	-30 to 100 (-22 to 212)
Installation torque	Nm (ft-lbs)	108-122 (80-90)
Weight	kg (lbs)	0.74 (1.63)
Cavity		CA-16A-4N see data sheet RE 18325-70
Seal kit (**)	code material no.	RG16A4010530100 R930000973
Fluids		Mineral-based or synthetics with lubricating properties at viscosities of 10 to 500 mm ² /s (cSt)
Filtration		Nominal value max. 10µm (NAS 8) ISO 4406 19/17/14
Installation		No restrictions
Other Technical Data		See data sheet RE 18350-50

(*) Measured at 200 bar (2900 psi)

(**) Only external seals for 10 valves

Dimensions



Ordering code

04.77.19	X	27	Z	00	*
----------	---	----	---	----	---

Directional spool type, direct acting external pilot external vent

O-Ring on pilot piston
= 00 No O-Ring

Common cavity, Size 16

Series 0/A to L
unchanged performances and dimensions

Version and options standard

SPRINGS	
Setting bar (psi)	
= 05	5 (73) ± 20%
= 11	11 (160) ± 10%

Type	Material number
04771900270500A	R930006976
04771900271100A	R930006977

Type	Material number