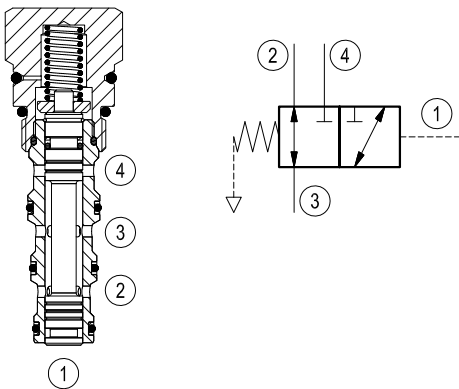


Directional spool type, direct acting external pilot external vent

Common cavity, Size 10

VDSJ-10A

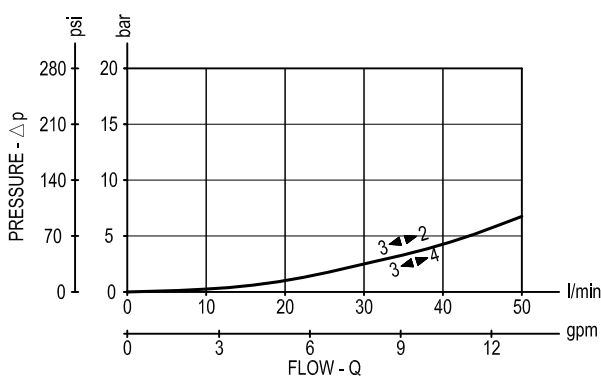
04.77.19 - X - 85 - Z



Description

Flow is allowed bi-directionally between 2 and 3, and blocked at 4 until pressure at 1 rises to overcome the spring bias against the spool. When this bias pressure is surpassed, the spool shifts, allowing bi-directional flow between 3 and 4 while blocking 2. The spring chamber is sealed and vented to atmosphere, allowing consistent shifting with only spring bias pressure independent of conditions at 2 or 3.

Performance



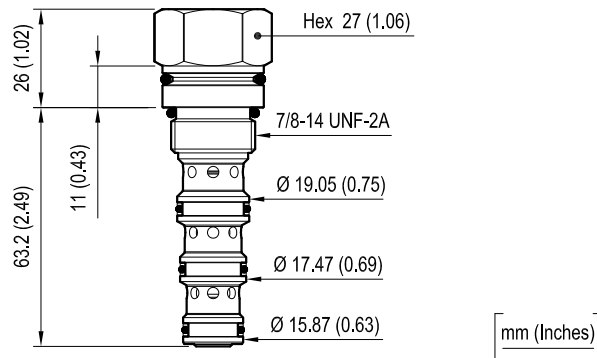
Technical data

Max. operating pressure	bar (psi)	350 (5000)
Max. flow	l/min. (gpm)	50 (13)
Max. internal leakage (*)	cm ³ /min. (cu.in./min.)	50 (3)
Pilot displacement volume	cm ³ (cu.in.)	0.28 (0.02)
Fluid temperature range	°C (°F)	-30 to 100 (-22 to 212)
Installation torque	Nm (ft-lbs)	41-47 (30-35)
Weight	kg (lbs)	0.2 (0.44)
Cavity		CA-10A-4N see data sheet RE 18325-70
Seal kit (**)	code material no.	RG10A4010530100 R901111373
Fluids		Mineral-based or synthetics with lubricating properties at viscosities of 10 to 500 mm ² /s (cSt)
Filtration		Nominal value max. 10µm (NAS 8) ISO 4406 19/17/14
Installation		No restrictions
Other Technical Data		See data sheet RE 18350-50

(*) Measured at 200 bar (2900 psi)

(**) Only external seals for 10 valves

Dimensions



Ordering code

04.77.19	X	85	Z	00	*
----------	---	----	---	----	---

Directional spool type, direct acting external pilot external vent

O-Ring on pilot piston
 = 00 No O-Ring
 = 10 With O-Ring

Common cavity, Size 10

Series 0/A to L
 unchanged performances and dimensions

Version and options standard

SPRINGS	
Setting bar (psi)	
= 05	5.5 (80) ± 20%
= 11	11.5 (167) ± 10%

Type	Material number
047719008505000	R930000952
047719008511000	R930000953
047719108505000	R930001328
047719108511000	R930001329

Type	Material number