

Directional spool type, direct acting,
external pilot external vent
Common cavity, Size 10

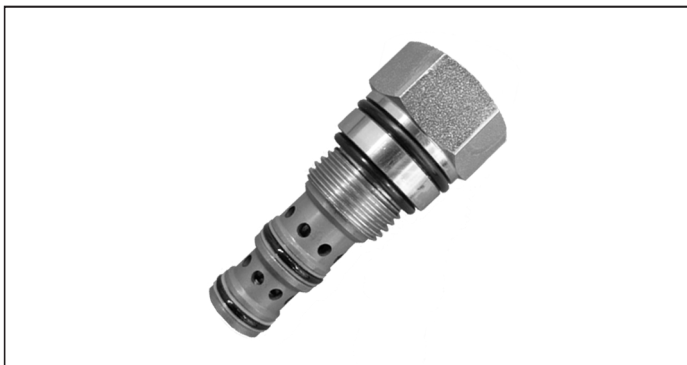
VDSD-10A

04.77.22 - X - 85 - Z

RE 18320-79

Edition: 03.2016

Replaces: 01.2010



Technical data

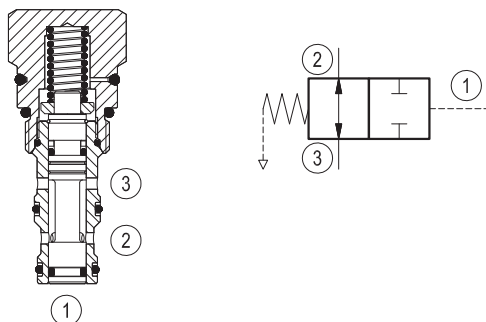
Max. operating pressure	350 bar (5000 psi)
Max. flow	50 l/min. (13 gpm)
Max. internal leakage ¹⁾	25 cm ³ /min. (1.5 cu.in./min.)
Pilot displacement volume	0.28 cm ³ (0.02 cu.in.)
Fluid temperature range	-30 to 100 °C (-22 to 212 °F)
Installation torque	41 - 47 Nm (30 - 35 ft-lbs)
Weight	0.2 kg (0.44 lbs)
Cavity	CA-10A-3N (see data sheet 18325-70)
Lines bodies and standard assemblies	Please refer to section "Hydraulic integrated circuit" or consult factory
Seal kit ²⁾	Code: RG10A3010530100 material no: R930000990
Fluids	Mineral-based or synthetics with lubricating properties at viscosities of 10 to 500 mm ² /s (cSt)
Recommended degree of fluid contamination	Nominal value max. 10µm (NAS 8) / ISO 4406 19/17/14
Installation position	No restrictions
Other Technical Data	See data sheet 18350-50

Description

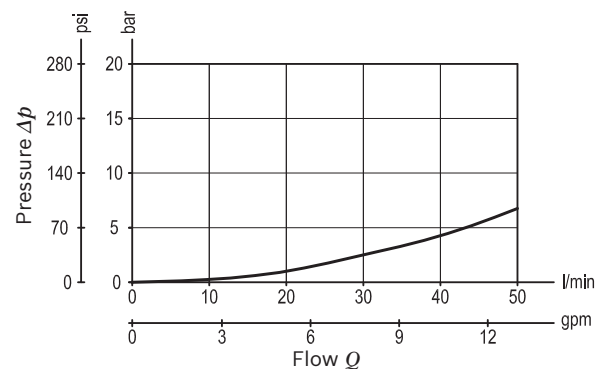
Flow is allowed bi-directionally between 2 and 3 until pressure at 1 rises to overcome the spring bias against the spool. When this bias pressure is surpassed, the spool shifts, blocking flow at both 2 and 3. The spring chamber is sealed and vented to atmosphere, allowing consistent shifting with only spring bias pressure independent of conditions at 2 or 3.

1) Measured at 200 bar (2900 psi)

2) Only external seals for 10 valves



Characteristic curve



Ordering code

04.77.22	X	85	Z	00	*
-----------------	----------	-----------	----------	-----------	----------

Directional spool type, direct acting
external pilot external vent

Series 0/A to L
unchanged performances and dimensions

Version and options standard

O-Ring on pilot piston

00 No O-Ring

10 With O-Ring

SPRINGS	
Std. setting bar (psi)	
05	5.5 (80) ± 20%
11	11.5 (167) ± 10%

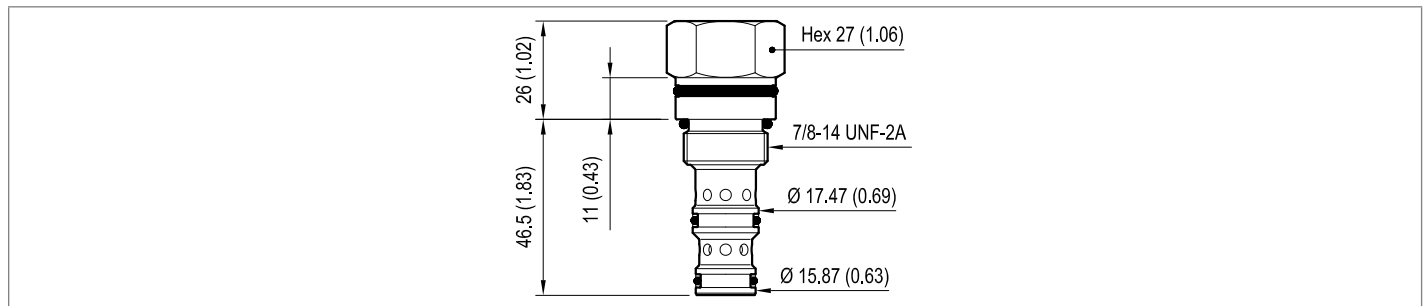
85 Common cavity, Size 10

Preferred types

Type	Material number
04772200850500A	R901109495
04772200851100A	R901109497
047722108505000	R901162014
047722108511000	R901162015

Type	Material number

Dimensions



Bosch Rexroth Oil Control S.p.A.

Via Leonardo da Vinci 5
P.O. Box no. 5
41015 Nonantola – Modena, Italy
Tel. +39 059 887 611
Fax +39 059 547 848
compact-hydraulics-cv@boschrexroth.com
www.boschrexroth.com/compacthydraulics

© This document, as well as the data, specifications and other information set forth in it, are the exclusive property of Bosch Rexroth Oil Control S.p.a.. It may not be reproduced or given to third parties without its consent. The data specified above only serve to describe the product. No statements concerning a certain condition or suitability for a certain application can be derived from our information. The information given does not release the user from the obligation of own judgment and verification. It must be remembered that our products are subject to a natural process of wear and aging. Subject to change.