

Logic element, flow and pressure control  
with external pilot  
Common cavity, Size 16

VLST-16A

04.84.01 - X - 27 - Z

**RE 18321-62**

Edition: 03.2016

Replaces: 10.2014

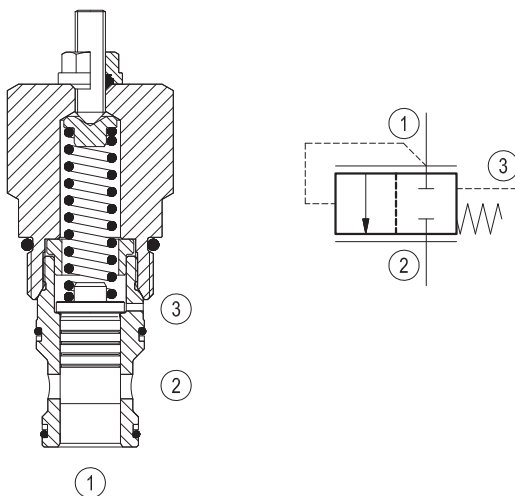


Technical data	
Max. operating pressure	350 bar (5000 psi)
Flow range	8 - 200 l/min (2 - 53 gpm)
Max. internal leakage <sup>1)</sup>	200 cm <sup>3</sup> /min. (12 cu.in./min.)
Fluid temperature range	-30 to 100 °C (-22 to 212 °F)
Installation torque	108 - 122 Nm (80 - 90 ft-lbs)
Weight <sup>2)</sup>	0.35 kg (0.77 lbs)
Cavity	CA-16A-3C (see data sheet 18325-70)
Lines bodies and standard assemblies	Please refer to section "Hydraulic integrated circuit" or consult factory
Seal kit <sup>3)</sup>	Code: RG16A9010520100 material no: R901111388
Fluids	Mineral-based or synthetics with lubricating properties at viscosities of 10 to 500 mm <sup>2</sup> /s (cSt)
Recommended degree of fluid contamination	Nominal value max. 10µm (NAS 8) / ISO 4406 19/17/14
Installation position	No restrictions
Other Technical Data	See data sheet 18350-50

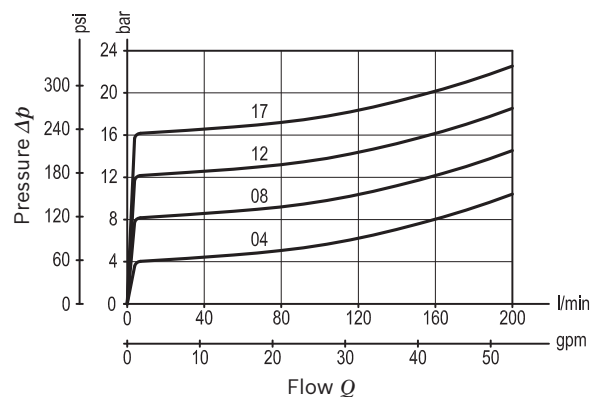
**Description**

When pressure at 1 rises above the selected spring bias pressure against the spool, the valve shifts to allow flow from 1 to 2. Pilot pressure at 3 is additive to the spring bias pressure. The valve may be used in switching or compensation type applications.

- 1) Measured at 200 bar (2900 psi)
- 2) Standard version X=00 type
- 3) Only external seals for 10 valves



**Characteristic curve**



**Ordering code**

<b>04.84.01</b>	<b>X</b>	<b>27</b>	<b>Z</b>	<b>00</b>	<b>*</b>
-----------------	----------	-----------	----------	-----------	----------

Logic element, flow and pressure control, with external pilot

Series O/A to L unchanged performances and dimensions

Version and options standard

**Adjustments**

**00** Fixed setting

**03** Leakproof hex. socket screw

**27** Common cavity, Size 16

**SPRINGS**

		Std. setting bar (psi)	Pressure increase bar/turn (psi/turn)	Bias spring bar (psi)
for X= 00	<b>04</b>	-	-	4 (60) ± 20%
	<b>06</b>	-	-	6 (87) ± 20%
	<b>08</b>	-	-	8.5 (123) ± 15%
	<b>12</b>	-	-	12 (175) ± 10%
	<b>15</b>	-	-	15 (218) ± 10%
	<b>17</b>	-	-	17 (247) ± 10%
	<b>22</b>	-	-	22 (319)
for X= 03	<b>00</b>	4 (60)	1 (15)	4-12 (60-175)

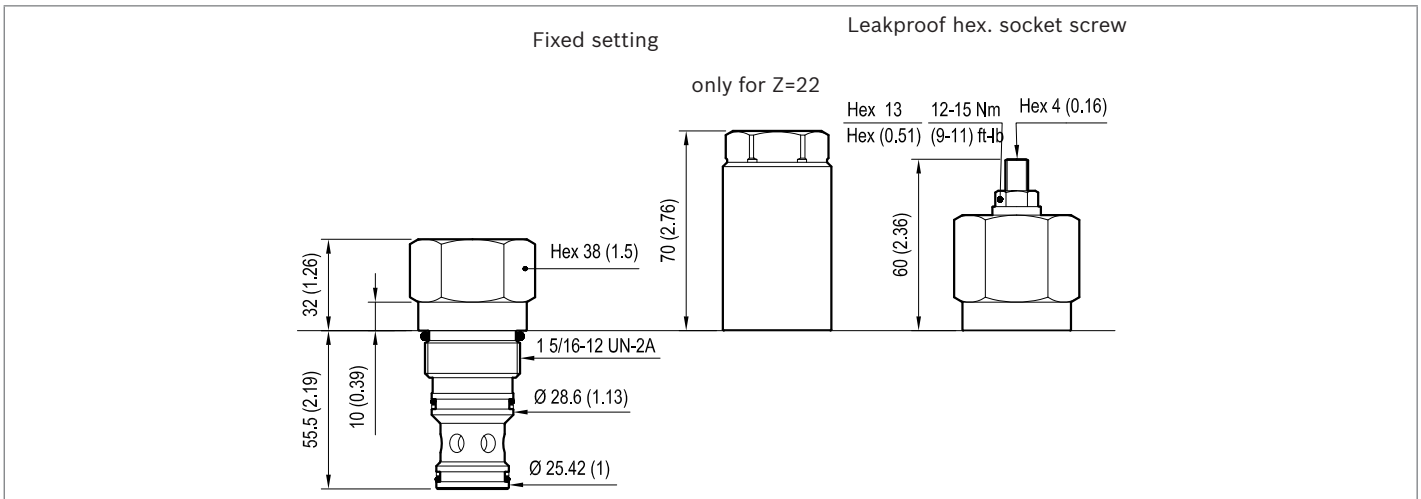
Note: Special settings available. Contact factory authorized representative for ordering code.

**Preferred types**

Type	Material number
048401002704000	R901109369
048401002706000	R930053465
048401002708000	R901109370
048401002712000	R901109371

Type	Material number
048401002715000	R930000999
048401002722000	R930055183
048401032700000	R901109372
048401002717000	R930001047

**Dimensions**



**Bosch Rexroth Oil Control S.p.A.**

Via Leonardo da Vinci 5  
 P.O. Box no. 5  
 41015 Nonantola – Modena, Italy  
 Tel. +39 059 887 611  
 Fax +39 059 547 848  
 compact-hydraulics-cv@boschrexroth.com  
 www.boschrexroth.com/compacthydraulics

© This document, as well as the data, specifications and other information set forth in it, are the exclusive property of Bosch Rexroth Oil Control S.p.a.. It may not be reproduced or given to third parties without its consent. The data specified above only serve to describe the product. No statements concerning a certain condition or suitability for a certain application can be derived from our information. The information given does not release the user from the obligation of own judgment and verification. It must be remembered that our products are subject to a natural process of wear and aging. Subject to change.