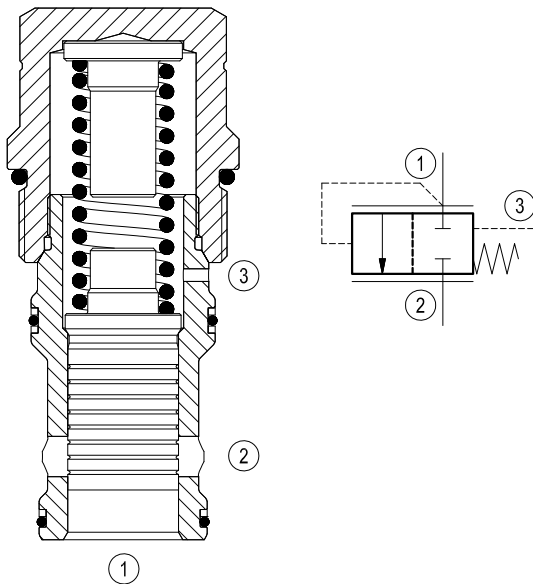


Logic element, flow and pressure control with external pilot

Common cavity, Size 20

VLST-20A

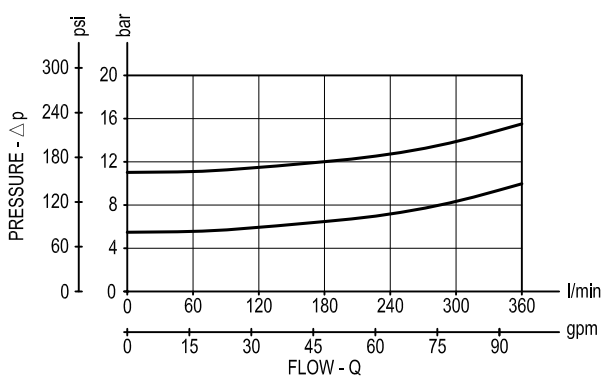
04.84.01 - X - 58 - Z



Description

When pressure at 1 rises above the selected spring bias pressure against the spool, the valve shifts to allow flow from 1 to 2. Pilot pressure at 3 is additive to the spring bias pressure. The valve may be used in switching or compensation type applications.

Performance



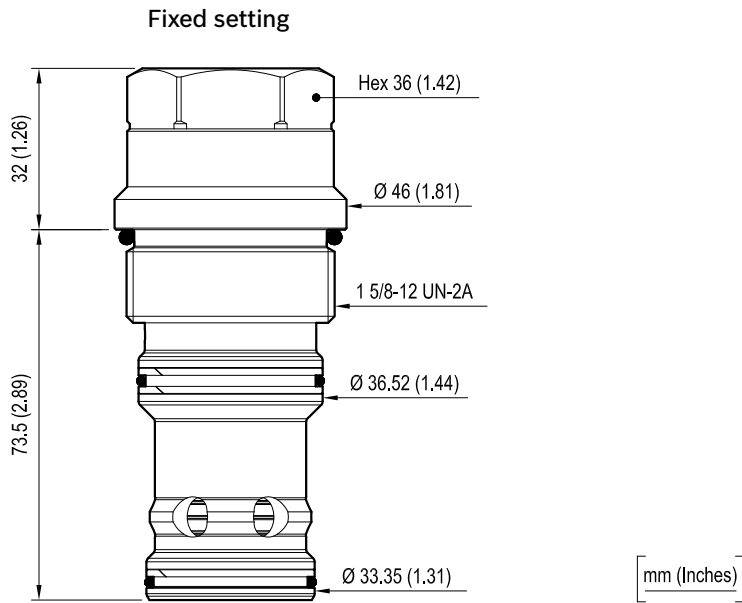
Technical data

Max. operating pressure	bar (psi)	350 (5000)
Flow range	l/min. (gpm)	10-360 (3-95)
Max. internal leakage (*)	cm ³ /min. (cu.in./min.)	200 (12)
Fluid temperature range	°C (°F)	-30 to 100 (-22 to 212)
Installation torque	Nm (ft-lbs)	128-149 (95-110)
Weight	kg (lbs)	0.8 (1.7)
Cavity		CA-20A-3C see data sheet RE 18325-70
Seal kit (**)	code material no.	RG20A9010530100 R901111397
Fluids		Mineral-based or synthetics with lubricating properties at viscosities of 10 to 500 mm ² /s (cSt)
Filtration		Nominal value max. 10µm (NAS 8) ISO 4406 19/17/14
Installation		No restrictions
Other Technical Data		See data sheet RE 18350-50

(*) Measured at 200 bar (2900 psi)

(**) Only external seals for 10 valves

Dimensions



Ordering code

04.84.01	X	58	Z	00	*
----------	---	----	---	----	---

Logic element, flow and pressure control with external pilot

Adjustments

= 00 Fixed setting

Common cavity, Size 20

Series 0/A to L
unchanged performances and dimensions

Version and options standard

SPRINGS	
	Bias spring bar (psi)
= 05	5.5 (80) ± 20%
= 11	11.5 (167) ± 15%

Type	Material number
048401005805000	R901109862
048401005811000	R901109867

Type	Material number