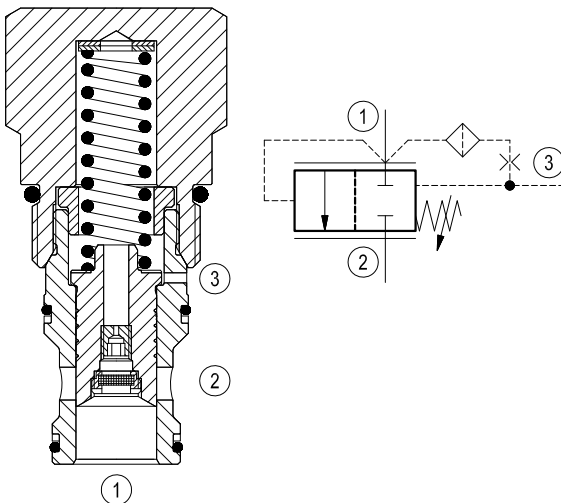


Logic element, flow and pressure control with internal pilot

Common cavity, Size 16

VLSP-16A

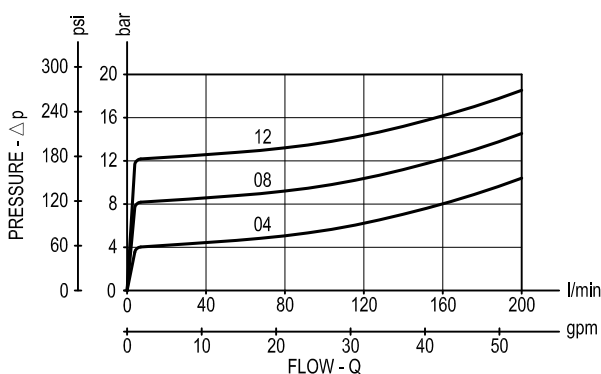
04.84.03 - X - 27 - Z



Description

When pressure at 1 rises above the selected spring bias pressure against the spool, the valve shifts to allow flow from 1 to 2. The differential pressure between 1 and 3, across an internal orifice, is additive to the spring bias pressure. Note that flow, restricted by the internal orifice, can be transmitted from 3 to 1. The valve may be used in switching or compensation type applications.

Performance



Technical data

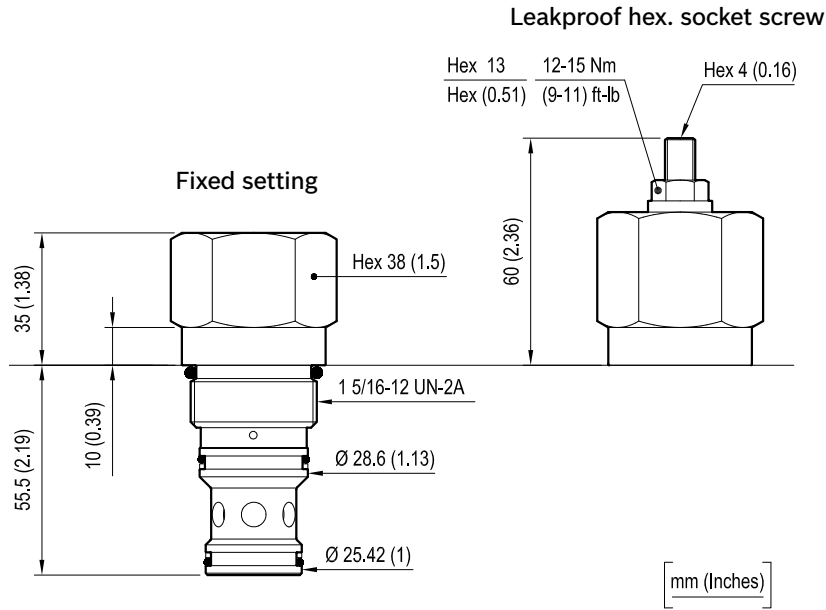
Max. operating pressure	bar (psi)	350 (5000)
Flow range	l/min. (gpm)	8-200 (2-53)
Max. internal leakage (*)	cm ³ /min. (cu.in./min.)	200 (12)
Fluid temperature range	°C (°F)	-30 to 100 (-22 to 212)
Installation torque	Nm (ft-lbs)	108-122 (80-90)
Standard internal orifice	mm	0.6
Weight (**)	kg (lbs)	0.35 (0.77)
Cavity		CA-16A-3C see data sheet RE 18325-70
Seal kit (***)	code material no.	RG16A9010520100 R901111388
Fluids		Mineral-based or synthetics with lubricating properties at viscosities of 10 to 500 mm ² /s (cSt)
Filtration		Nominal value max. 10µm (NAS 8) ISO 4406 19/17/14
Installation		No restrictions
Other Technical Data		See data sheet RE 18350-50

(*) Measured at 200 bar (2900 psi)

(**) Standard version X=00 type

(***) Only external seals for 10 valves

Dimensions



Ordering code

04.84.03	X	27	Z	00	*
----------	---	----	---	----	---

Logic element, flow and pressure control with internal pilot

Adjustments

- = 00 Fixed setting
- = 03 Leakproof hex. socket screw

Common cavity, Size 16

Series 0/A to L unchanged performances and dimensions

Version and options standard

		SPRINGS		
		Standard setting bar (psi)	Pres. increase bar/tum (psi/tum)	Bias spring bar (psi)
for X=00	= 04	-	-	4 (60) ±20%
	= 08	-	-	8 (115) ±15%
	= 12			12 (175) ±10%
for X=03	= 00	4 (60)	1.5 (22)	4-12 (60-175)

Note: Special settings available. Contact factory authorized representative for ordering code

Type	Material number
048403002704000	R901109868
048403002708000	R901109869
048403002712000	R901109870
048403032700000	R901109871

Type	Material number