

Logic element, direction control  
 poppet type  
 Common cavity, Size 10

VLDT-10A

04.84.07 - X - 85 - Z

**RE 18321-76**

Edition: 03.2016

Replaces: 01.2010

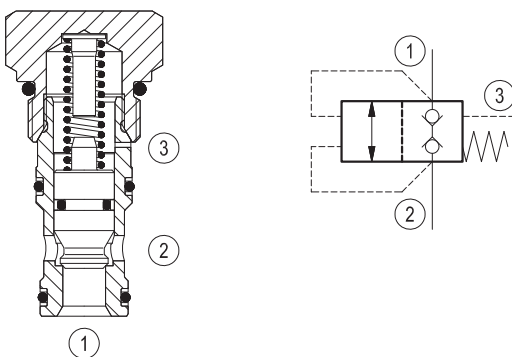
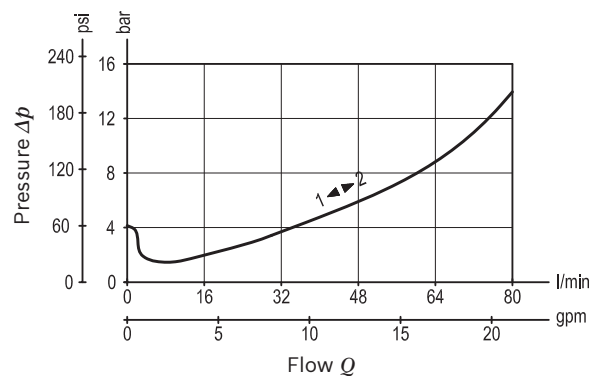
**Description**

Flow is blocked bi-directionally between 1 and 2, until pressure at either 1 or 2 rises above the combined pressure of the spring bias, plus pressure at 3. The poppet is balanced between pressures at 1 and 2 with a 1:1 area ratio, and held locked by pressure at 3 in a 2:1 ratio versus either 1 or 2.

**Technical data**

Max. operating pressure	350 bar (5000 psi)
Max. flow	80 l/min. (21 gpm)
Pilot ratio	2:1
Max. internal leakage	5 drops/min. at 200 bar (2900 psi) closed
Fluid temperature range	-30 to 100 °C (-22 to 212 °F)
Installation torque	41 - 47 Nm (30 - 35 ft-lbs)
Weight	0.12 kg (0.27 lbs)
Cavity	CA-10A-3C (see data sheet 18325-70)
Lines bodies and standard assemblies	Please refer to section "Hydraulic integrated circuit" or consult factory
Seal kit <sup>1)</sup>	Code: RG10A9010530100 material no: R901111368
Fluids	Mineral-based or synthetics with lubricating properties at viscosities of 5 to 800 mm <sup>2</sup> /s (cSt)
Recommended degree of fluid contamination	Nominal value max. 10µm (NAS 8) / ISO 4406 19/17/14
Installation	No restrictions
Other Technical Data	See data sheet 18350-50

1) Only external seals for 10 valves

**Characteristic curve**

**Ordering code**

04.84.07	X	85	Z	00	*
----------	---	----	---	----	---

Logic element, direction control poppet type

Series 0/A to L  
unchanged performances and dimensions

Version and options standard

Adjustments

**00** Fixed setting

**85** Common cavity, Size 10

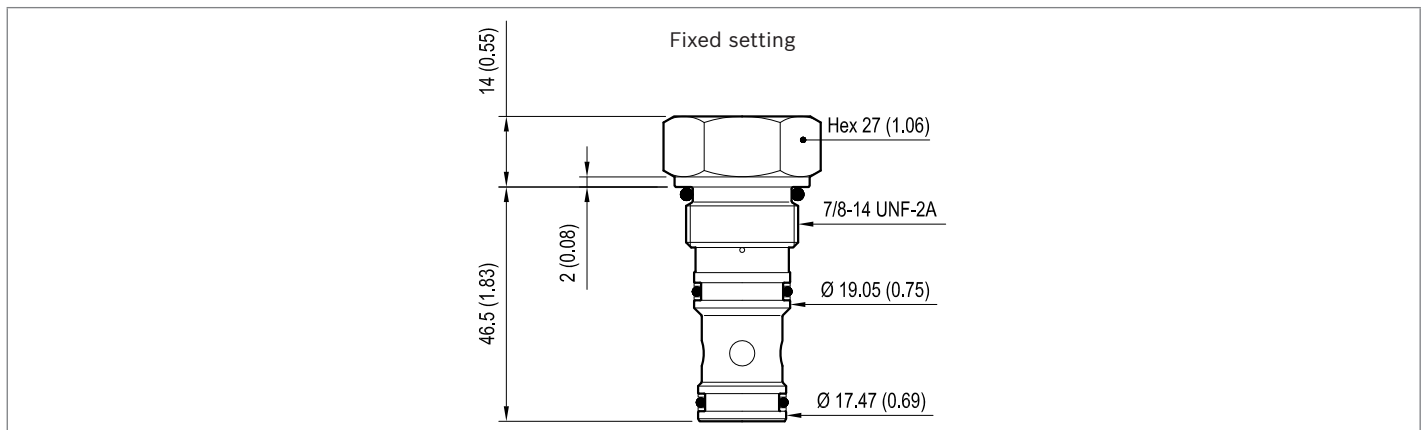
SPRINGS	
	Bias spring bar (psi)
<b>04</b>	4 (60) ± 20%

**Preferred types**

Type	Material number
048407008504000	R901095969

Type	Material number

**Dimensions**



**Bosch Rexroth Oil Control S.p.A.**

Via Leonardo da Vinci 5  
P.O. Box no. 5  
41015 Nonantola – Modena, Italy  
Tel. +39 059 887 611  
Fax +39 059 547 848  
compact-hydraulics-cv@boschrexroth.com  
www.boschrexroth.com/compacthydraulics

© This document, as well as the data, specifications and other information set forth in it, are the exclusive property of Bosch Rexroth Oil Control S.p.a.. It may not be reproduced or given to third parties without its consent. The data specified above only serve to describe the product. No statements concerning a certain condition or suitability for a certain application can be derived from our information. The information given does not release the user from the obligation of own judgment and verification. It must be remembered that our products are subject to a natural process of wear and aging. Subject to change.