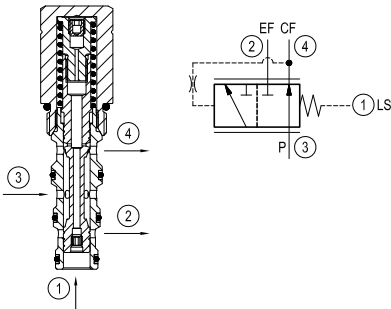


Logic element, pressure compensator with static load sense

Common cavity, Size 10

VRLA-10A-S

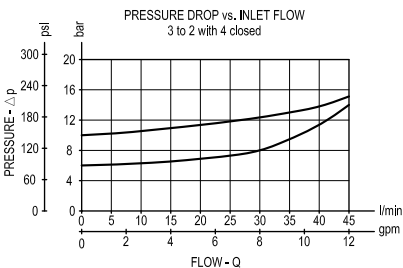
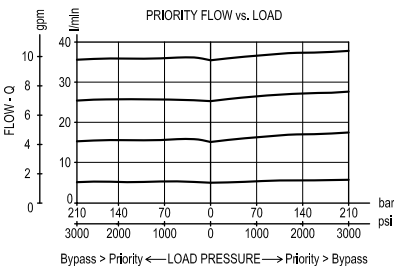
04.84.09.00 - 85 - Z



Description

The valve delivers priority flow, from 0 to max. available, on demand to port 4, while compensating for load changes downstream. In neutral, all input flow at 3 is given to the priority port 4. Pressure at 4 is applied to the spool against a spring force so that increasing pressure causes increasing by-pass of input flow to port 2. Load sense pressure at port 1, obtained between the downstream control and the load, assists the spring, and moves the spool back toward supplying priority flow. Comparison between priority outlet and LS pressure seeks a constant differential pressure over the control valve. As load and flow control change, the priority flow is increased or decreased to satisfy the demand establishing that differential.

Performance

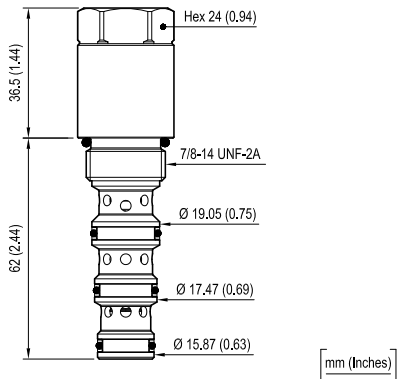


Technical data

Max. operating pressure	bar (psi)	350 (5000)
Max. inlet flow	l/min. (gpm)	45 (12)
Max. priority flow	l/min. (gpm)	30 (8) for Z=05 version 40 (11) for Z=10 version
Fluid temperature range	°C (°F)	-30 to 100 (-22 to 212)
Installation torque	Nm (ft-lbs)	41-47 (30-35)
Weight	kg (lbs)	0.22 (0.49)
Cavity		CA-10A-4N see data sheet RE 18325-70
Seal kit (*)	code material no.	RG10A4010530100 R901111373
Fluids		Mineral-based or synthetics with lubricating properties at viscosities of 10 to 500 mm ² /s (cSt)
Filtration		Nominal value max. 10µm (NAS 8) ISO 4406 19/17/14
Installation		No restrictions
Other Technical Data		See data sheet RE 18350-50

(*) Only external seals for 10 valves

Dimensions



Ordering code

04.84.09.00	85	Z	00	*
-------------	----	---	----	---

Logic element, pressure compensator with static load sense

Common cavity, Size 10

Series 0/A to L
unchanged performances and dimensions

Version and options standard

SPRINGS	
Bias spring bar (psi)	
= 05	5.5 (80) ± 20%
= 10	10 (145) ± 15%

Type	Material number
048409008505000	R930001191
048409008510000	R930001192

Type	Material number

Bosch Rexroth Oil Control S.p.A.
Via Leonardo da Vinci 5
P.O. Box no. 5
41015 Nonantola – Modena, Italy
Tel. +39 059 887 611
Fax +39 059 547 848
cartridges@oilcontrol.com
www.boschrexroth.com

© This document, as well as the data, specifications and other information set forth in it, are the exclusive property of Bosch Rexroth Oil Control S.p.a. It may not be reproduced or given to third parties without its consent.

The data specified above only serve to describe the product. No statements concerning a certain condition or suitability for a certain application can be derived from our information. The information given does not release the user from the obligation of own judgment and verification. It must be remembered that our products are subject to a natural process of wear and aging.
Subject to change.