

Logic element, flow control  
with external pilot, fixed setting, damped type  
Common cavity, Size 10

VLSC-10A-8-TF

04.84.12 - X - 85 - Z

**RE 18321-71**

Edition: 05.2017

Replaces: 02.2017



**Description**

When pressure at 1 rises above the selected spring bias pressure against the spool, the valve shifts to allow block from 2 to 1. Pilot pressure at 3 is additive to the spring bias pressure. The valve may be used in switching or compensation type applications, and will maintain a constant pressure drop across a fixed (or variable) orifice downstream of 1 when installed and piloted per the diagram above.

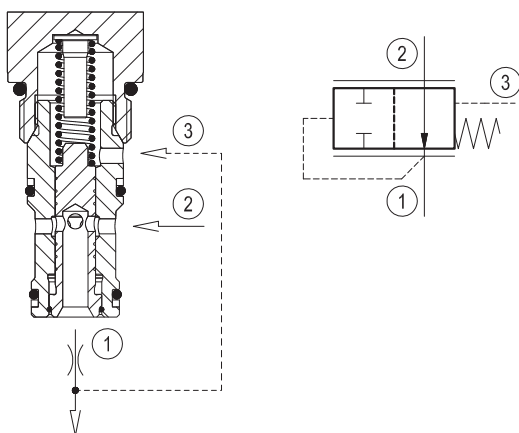
VLSC-10A-8-TF is provided of a damped type spool, especially designed for demanding applications.

**Technical data**

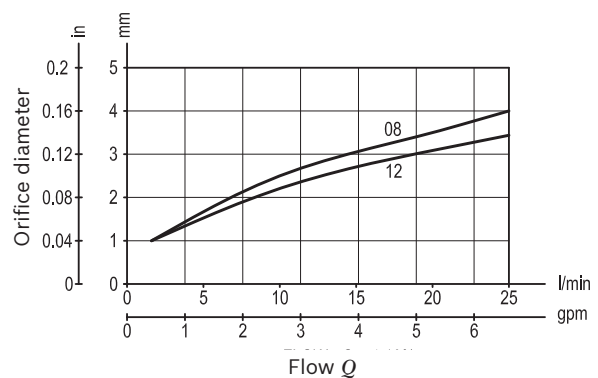
Max. operating pressure	350 bar (5000 psi)
Max. Flow	25 l/min. (7 gpm)
Max. internal leakage <sup>1)</sup>	50 cm <sup>3</sup> /min. (3 cu.in./min.)
Fluid temperature range	-30 to 100 °C (-22 to 212 °F)
Installation torque	41 - 47 Nm (30 - 35 ft-lbs)
Weight	0.15 kg (0.33 lbs)
Cavity	CA-10A-3C (see data sheet 18325-70)
Lines bodies and standard assemblies	Please refer to section "Hydraulic integrated circuit" or consult factory
Lines bodies and standard assemblies	Please refer to section "Hydraulic integrated circuit" or consult factory
Seal kit <sup>2)</sup>	Code: RG10A9010520100 material no: R901111367
Fluids	Mineral-based or synthetics with lubricating properties at viscosities of 10 to 500 mm <sup>2</sup> /s (cSt)
Recommended degree of fluid contamination	Nominal value max. 10µm (NAS 8) / ISO 4406 19/17/14
Installation	No restrictions
Other Technical Data	See data sheet 18350-50

1) Measured at 200 bar (2900 psi)

2) Only external seals for 10 valves



**Characteristic curve**



**Ordering code**

<b>04.84.12</b>	<b>X</b>	<b>85</b>	<b>Z</b>	<b>00</b>	<b>*</b>
-----------------	----------	-----------	----------	-----------	----------

Logic element, flow control with external pilot, fixed setting, damped type

Series 0/A to L  
unchanged performances and dimensions

Version and options standard

**Adjustments**

**00** Fixed setting

**85** Common cavity, Size 10

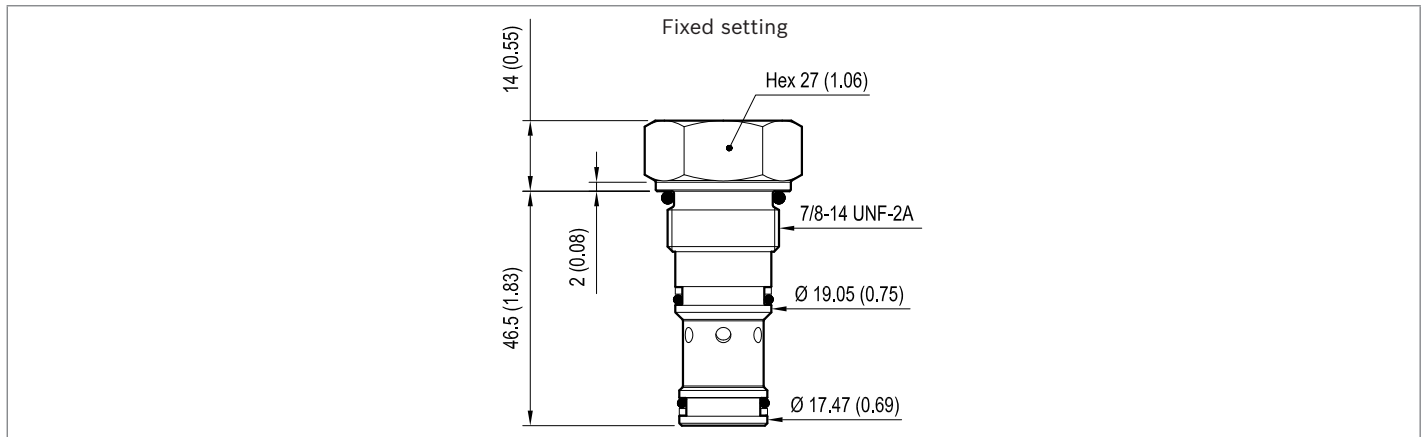
SPRINGS	
	Bias spring bar (psi) ± 15%
<b>08</b>	8 (115)
<b>12</b>	12 (175)
<b>20</b>	20 (290)

**Preferred types**

Type	Material number
048412008508000	R930000264
048412008512000	R930000281

Type	Material number
048412008520000	R930061132

**Dimensions**



**Bosch Rexroth Oil Control S.p.A.**

Via Leonardo da Vinci 5  
P.O. Box no. 5  
41015 Nonantola – Modena, Italy  
Tel. +39 059 887 611  
Fax +39 059 547 848  
compact-hydraulics-cv@boschrexroth.com  
www.boschrexroth.com/compacthydraulics

© This document, as well as the data, specifications and other information set forth in it, are the exclusive property of Bosch Rexroth Oil Control S.p.a.. It may not be reproduced or given to third parties without its consent. The data specified above only serve to describe the product. No statements concerning a certain condition or suitability for a certain application can be derived from our information. The information given does not release the user from the obligation of own judgment and verification. It must be remembered that our products are subject to a natural process of wear and aging. Subject to change.