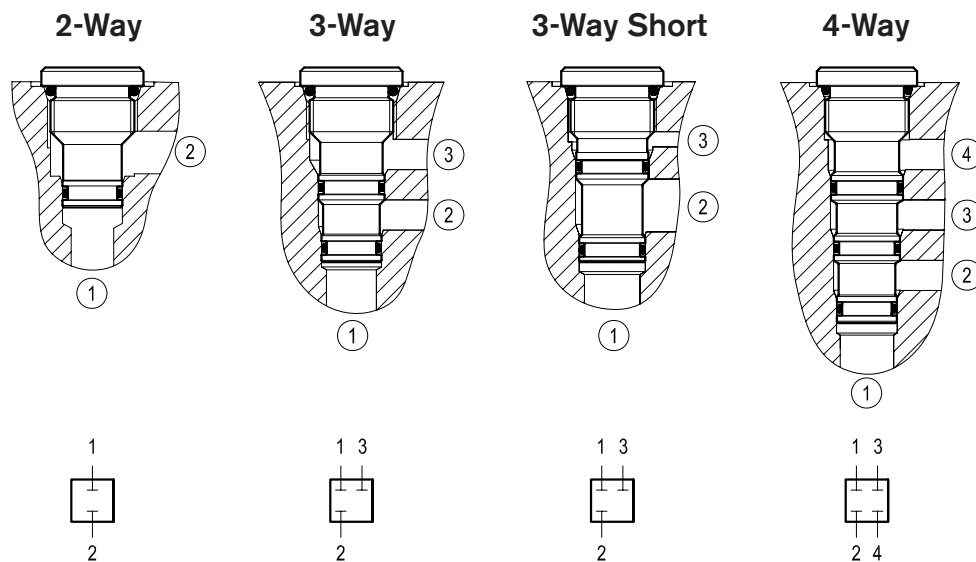


All ports blocked cavity plugs



Common cavities

04.89 - X - 00 - Y - 00



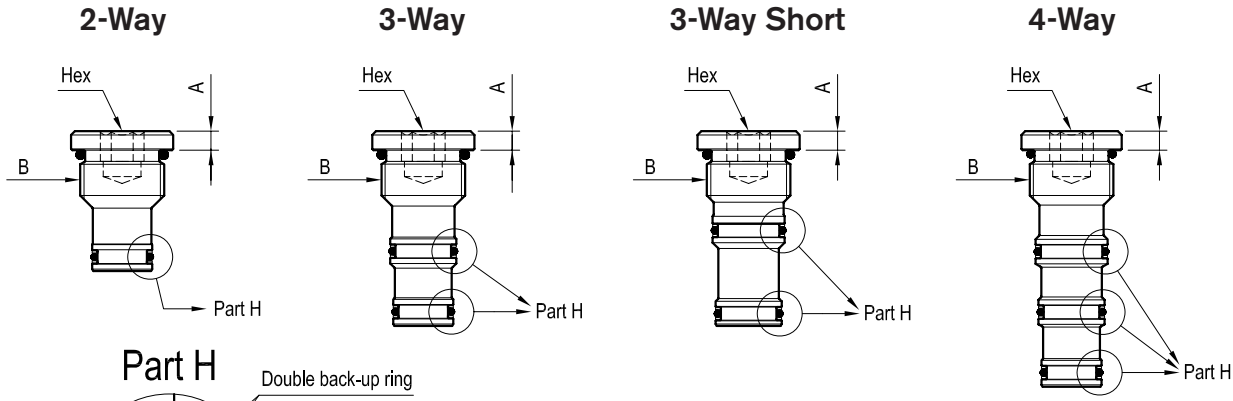
Technical data

Hydraulic

Max pressure	bar (psi)	350 (5000) for all ports
Installation torque		see next page
Weight		see next page
O-Ring material		NBR 70

These cavity plugs block all ports

Dimensions



	Dimensions				Weight kg (lbs)			
	A mm (inches)	Hex mm (inches)	Inst. Torque Nm (ft-lbs)	Thread B	2 Way	3 Way	3 Way short	4 Way
Size 8	4 (0.16)	8 (0.32)	34-41 (25-30)	3/4-16 UNF-2A	0.05 (0.11)	0.07 (0.15)	0.07 (0.15)	0.08 (0.18)
Size 10	5 (0.20)	10 (0.39)	41-47 (30-35)	7/8-14 UNF-2A	0.08 (0.18)	0.10 (0.23)	0.11 (0.24)	0.13 (0.29)
Size 12	5 (0.20)	12 (0.47)	81-95 (60-70)	1-1/16-12 UN-2A	0.16 (0.35)	0.23 (0.51)	0.20 (0.44)	0.28 (0.62)
Size 16	5 (0.20)	16 (0.63)	108-122 (80-90)	1-5/16-12 UN-2A	0.24 (0.53)	0.34 (0.75)	0.27 (0.60)	0.43 (0.95)
Size 20	5 (0.20)	20 (0.79)	128-149 (95-110)	1-5/8-12 UN-2A	0.46 (1.01)	0.72 (1.59)	0.57 (1.26)	0.92 (2.03)

Ordering code

04.89	X	00	Y	00
--------------	----------	-----------	----------	-----------

Cavity plug (all ports closed)

Cavity size

Cavity type

= A2 2 Way

= A3 3 Way

= A9 3 Way Short

= A4 4 Way

= 56 Size 08

= 85 Size 10

= 57 Size 12

= 27 Size 16

= 58 Size 20

Type	Material number
0489A2002700000	R930000801
0489A2005600000	R901175335
0489A2005700000	R930000824
0489A2005800000	R930000819
0489A2008500000	R930000805
0489A3002700000	R930000799
0489A3005600000	R930000823
0489A3005700000	R930000825
0489A3005800000	R930000820
0489A3008500000	R930000808

Type	Material number
0489A4002700000	R930000798
0489A4005600000	R930001104
0489A4005700000	R930000829
0489A4005800000	R930000821
0489A4008500000	R930000814
0489A9002700000	R930000796
0489A9005600000	R930001105
0489A9005700000	R930000830
0489A9005800000	R930000822
0489A9008500000	R930000344