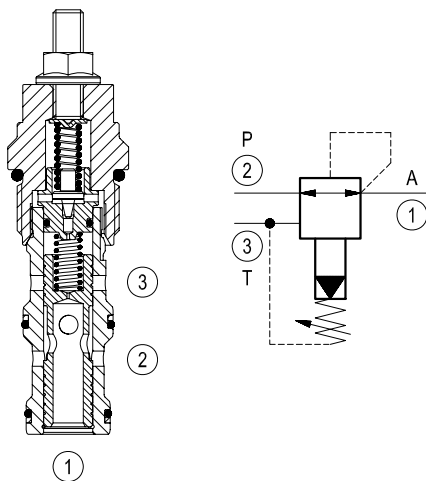


Pressure reducing and relieving, pilot operated spool type.

Common cavity, size 12

VRPX-12A

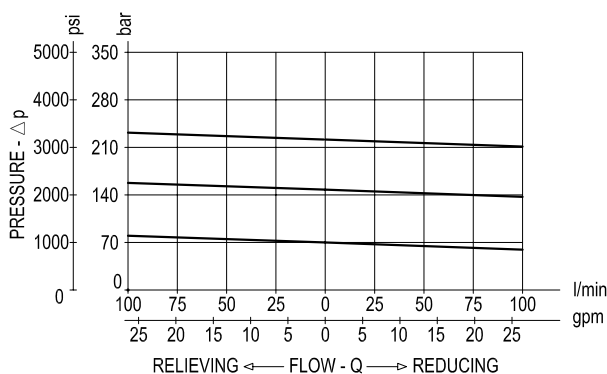
04.93.07 - X - 57 - Z



Description

Initially, flow passes freely from 2 to 1. When the pressure at 1 exceeds the pressure setting, the conical poppet in the upper, pilot stage is lifted from its seat. This allows the main-stage piston to shift, restricting input flow at 2. This increases the pressure drop through the valve and maintains consistent pressure at 1. The spring chamber is drained at 3 to prevent a build-up of back-pressure against the spool. Additionally, if pressure at 1 rises above the pressure setting, flow is relieved to 3 until the setting is re-attained.

Performance

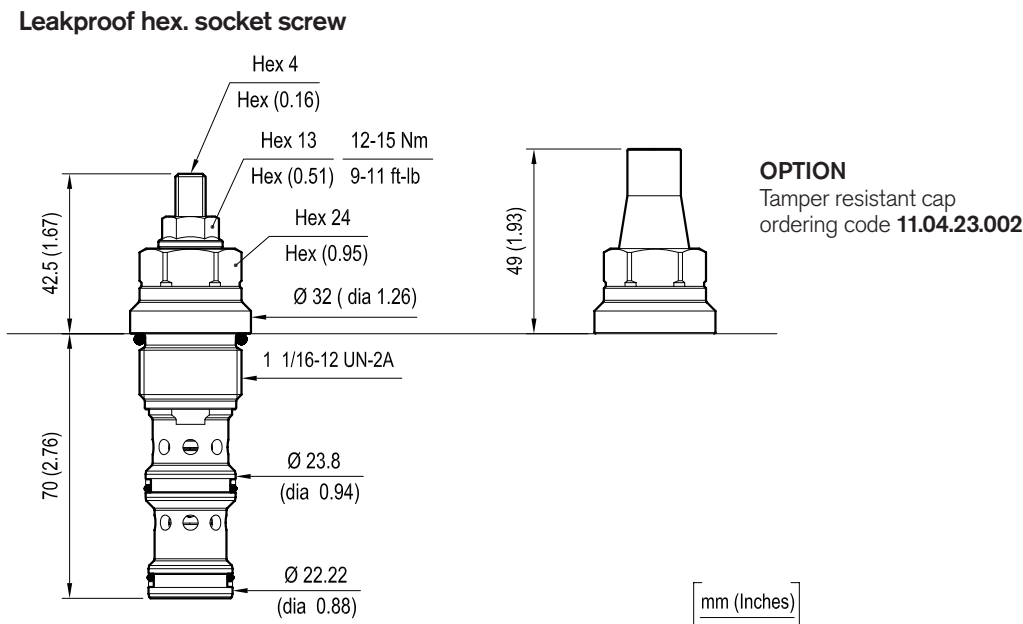


Technical data

Hydraulic

Max. pressure	bar (psi)	350 (5000)
Max. flow	l/min (gpm)	100 (26)
Installation torque	Nm (ft-lb)	81-95 (60-70)
Std. internal orifice	mm	0.7
Cavity		CA-12A-3N (see page CT.A.003.U)
Line bodies		see page MN1.A...
Seal kit	code Mat. Nr.	RG12A3010520100 R930000941
Weight	kg (lbs)	0.3 (0.66)
Fluid temperature range	°C (°F)	between -30 (-22) and +100 (212)
Other technical data		see page A-PD...

Dimensions



Ordering code

04.93.07	X	57	Z
-----------------	----------	-----------	----------

Pressure reducing and relieving,
 pilot operated spool type.

Adjustments

= 03 Leakproof hex. socket screw

Common cavity SIZE 12

SPRINGS			
	Adj. pressure range bar (psi)	Pres. increase bar/turn (psi/turn)	Standard pressure bar (psi)
= 10	20-140 (290-2000)	48 (696)	100 (1450)
= 20	70-280 (1000-4000)	88 (1276)	200 (2900)
= 35	140-350 (2000-5000)	140 (2030)	280 (4000)

Type	Material number
049307035710000	R930001123
049307035720000	R930001124
049307035735000	R930001125

Type	Material number