

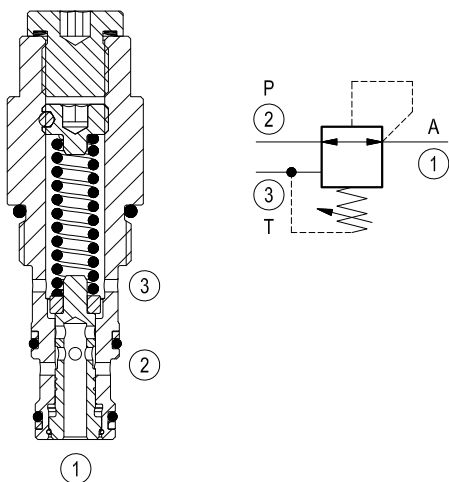
Pressure reducing and relieving, direct acting spool damped type

Common cavity, Size 10



VRPR-10A-8

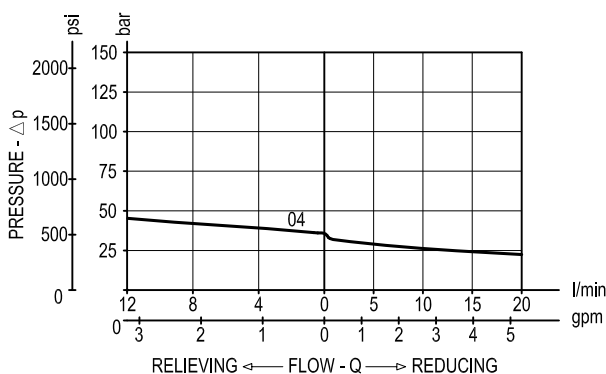
04.95.09.83.85 - Z



Description

Initially, flow passes freely from 2 to 1. When the pressure at 1 exceeds the pressure setting, the valve acts to restrict input flow at 2. This increases the pressure drop through the valve and maintains consistent pressure at 1. The spring chamber is drained at 3 to prevent a build-up of back-pressure against the spool. Additionally, if pressure at 1 rises above the pressure setting, flow is relieved to 3 until the setting is re-attained. Compared to VRPR-10A it allows a smoother dynamic and lower flow rate.

Performance



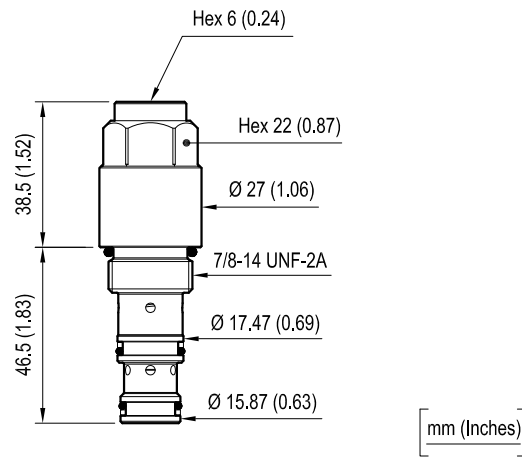
Technical data

Max. operating pressure port 2 (P)	bar (psi)	350 (5000)
Max. pressure admitted port 1 (A)	bar (psi)	50 (725)
Max. flow	l/min. (gpm)	20 (5)
Max. internal leakage (*)	cm ³ /min. (cu.in./min.)	130 (8)
Fluid temperature range	°C (°F)	-30 to 100 (-22 to 212)
Installation torque	Nm (ft-lbs)	41-47 (30-35)
Weight	kg (lbs)	0.3 (0.6)
Cavity		CA-10A-3N see data sheet RE 18325-70
Seal kit (**)	code material no.	RG10A3010520100 R901111369
Fluids		Mineral-based or synthetics with lubricating properties at viscosities of 10 to 500 mm ² /s (cSt)
Filtration		Nominal value max. 10µm (NAS 8) ISO 4406 19/17/14
Installation		No restrictions
Other general technical data		See data sheet RE 18350-50

(*) 1 - 3 to 80% of pressure setting

(**) Only external seals for 10 valves

Dimensions



Ordering code

04.95.09.83	85	Z	00	*
-------------	----	---	----	---

Series O/A to L
unchanged performances and dimensions

Pressure reducing and relieving,
direct acting spool damped type

Version and options standard

Common cavity, Size 10

	SPRINGS		
	Adj. press. range bar (psi)	Pressure increase bar/turn (psi/turn)	Std. setting bar (psi) (reduc. mode)
= 04	10-45 (145-650)	12 (174)	35 (500)
= 06	20-70 (290-1015)	20 (290)	60 (870)
= 10	40-100 (580-1450)	33 (479)	90 (1305)

Type	Material number
049509838504000	R930005668
049509838506000	R930005883
049509838510000	R930005669

Type	Material number