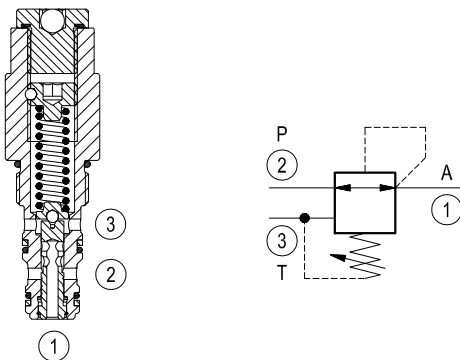


Pressure reducing and relieving, direct acting spool type

Common cavity, Size 08

VRPR-08A

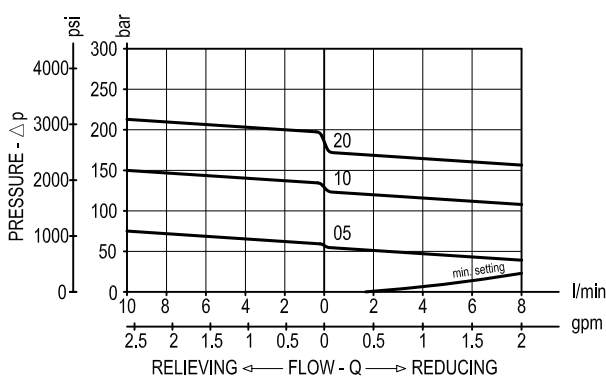
04.95.11.83.56 - Z



Description

Initially, flow passes freely from 2 to 1. When the pressure at 1 exceeds the pressure setting, the valve acts to restrict input flow at 2. This increases the pressure drop through the valve and maintains consistent pressure at 1. The spring chamber is drained at 3 to prevent a build-up of back-pressure against the spool. Additionally, if pressure at 1 rises above the pressure setting, flow is relieved to 3 until the setting is re-attained.

Performance



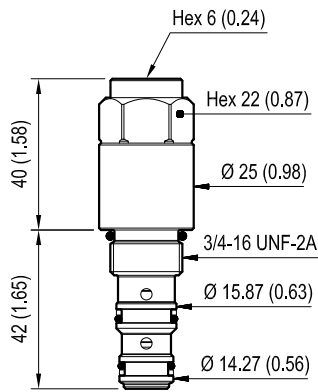
Technical data

| | | |
|------------------------------------|-------------------------------------|--|
| Max. operating pressure port 2 (P) | bar (psi) | 350 (5000) |
| Max. pressure admitted port 1 (A) | bar (psi) | 210 (3000) |
| Max. flow | l/min. (gpm) | 8 (2) |
| Max. internal leakage (*) | cm ³ /min. (cu.in./min.) | 100 (6) |
| Fluid temperature range | °C (°F) | -30 to 100 (-22 to 212) |
| Installation torque | Nm (ft-lbs) | 34-41 (25-30) |
| Weight | kg (lbs) | 0.2 (0.44) |
| Cavity | | CA-08A-3N see data sheet RE 18325-70 |
| Seal kit (**) | code material no. | RG08A3010520100 R930000861 |
| Fluids | | Mineral-based or synthetics with lubricating properties at viscosities of 10 to 500 mm ² /s (cSt) |
| Filtration | | Nominal value max. 10µm (NAS 8) ISO 4406 19/17/14 |
| Installation | | No restrictions |
| Other general technical data | | See data sheet RE 18350-50 |

(*) 1 - 3 to 80% of pressure setting

(**) Only external seals for 10 valves

Dimensions



mm (Inches)

Ordering code

| | | | | |
|-------------|----|---|----|---|
| 04.95.11.83 | 56 | Z | 00 | * |
|-------------|----|---|----|---|

Pressure reducing and relieving, direct acting spool type

Series 0/A to L unchanged performances and dimensions

Version and options standard

Common cavity, Size 08

| SPRINGS | |
|---------------------------------------|------------|
| Fixed setting bar (psi) (reduc. mode) | |
| = 05 | 35 (500) |
| = 10 | 70 (1000) |
| = 20 | 150 (2200) |

Further settings available on request

| Type | Material number |
|-----------------|-----------------|
| 04951183560500A | R930006735 |
| 04951183561000A | R930006736 |
| 04951183562000A | R930006737 |
| | |
| | |

| Type | Material number |
|------|-----------------|
| | |
| | |
| | |
| | |