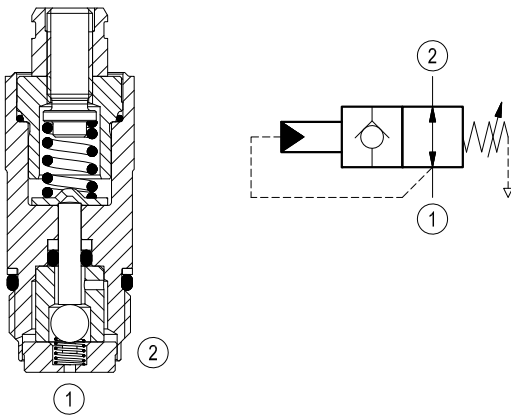
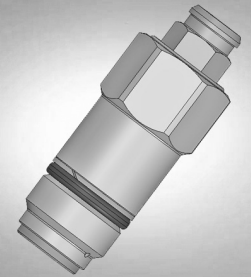


# Automatic shut-off, pilot to close

Special cavity, 348

VEM-5-SA

04.98.06- X - 99 - Z



## Description

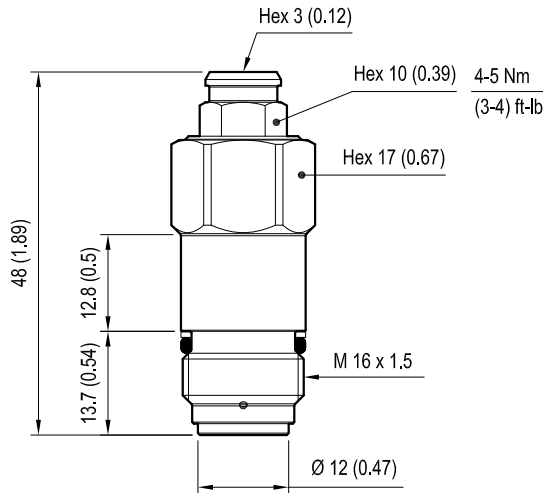
Pilot flow is normally allowed bi-directionally between 1 and 2. When pressure at 1 rises above the selected pressure setting, the ball check seats and blocks flow from 1 to 2. The valve is intended to block undesirable pressure spikes in pilot control systems, particularly in counterbalance applications.

## Technical data

Max. operating pressure	bar (psi)	350 (5000)
Max. flow	l/min. (gpm)	1 (0.26)
Max. internal leakage	drops/min.	5
Fluid temperature range	°C (°F)	-30 to 100 (-22 to 212)
Installation torque	Nm (ft-lbs)	20-23 (15-17)
Weight	kg (lbs)	0.06 (0.13)
Special cavity		348 see data sheet RE 18325-75
Seal kit (*)	code material no.	RG0348010520100 R930001669
Fluids		Mineral-based or synthetics with lubricating properties at viscosities of 5 to 500 mm <sup>2</sup> /s (cSt)
Filtration		Nominal value max. 10µm (NAS 8) ISO 4406 19/17/14
Installation		No restrictions
Other Technical Data		See data sheet RE 18350-50

(\*) Only external seals for 10 valves

### Dimensions



mm (Inches)

### Ordering code

04.98.06	X	99	Z	00	*
----------	---	----	---	----	---

Automatic shut-off, pilot to close

Series 0/A to L  
unchanged performances and dimensions

Version and options standard

Adjustments

= 03 Leakproof hex. socket screw

	SPRINGS		
	Adj. press. range bar (psi)	Pressure increase bar/turn (psi/turn)	Std. setting bar (psi)
= 05	15-35 (220-500)	16 (232)	20 (290)
= 10	20-70 (290-1000)	31 (450)	50 (725)
= 20	50-140 (725-2000)	66 (957)	100 (1450)

Special cavity, 348

Type	Material number
049806039905000	R930006727
049806039910000	R930006728
049806039920000	R930006730

Type	Material number