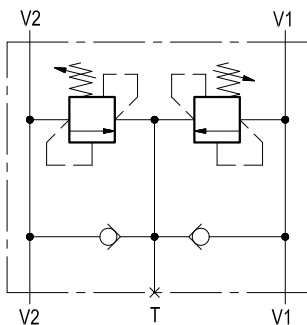


Dual cross over relief, direct acting, with anti-cavitation check valves

VSDI-VA-80

05.16.05 - X - Y - Z



Description

It relieves the inlet pressure from either one of the supply lines and it protects motors or hydraulic actuators from shocks or pressure surges induced by changes in direction or by sudden stops. The dual relief is of the cross over type, and exhausted oil is transferred to the other line (from V1 into V2 and vice-versa) to prevent cavitation. An extra tank port (T), with 2 checks, allows to make up for any drain or exhausted flow and ensures that the motor is always full.

Technical data

Hydraulic

Operating pressure	bar (psi)	up to 210 (3000)
Max. flow	l/min (gpm)	80 (21)

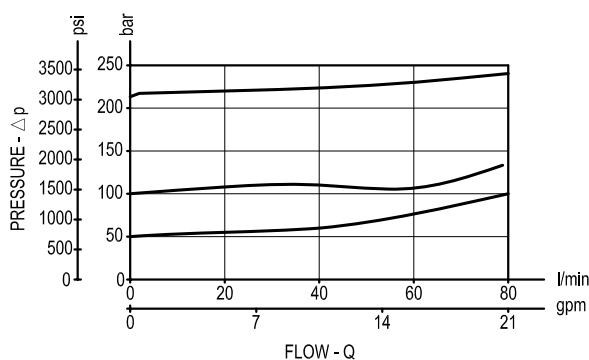
For relief cartridge details, see RE 18318-25 (VS-80 041105X99Z)

Each cartridge can be individually pressure set. For best protection, the valve should be fitted as close to the actuator as possible.

General

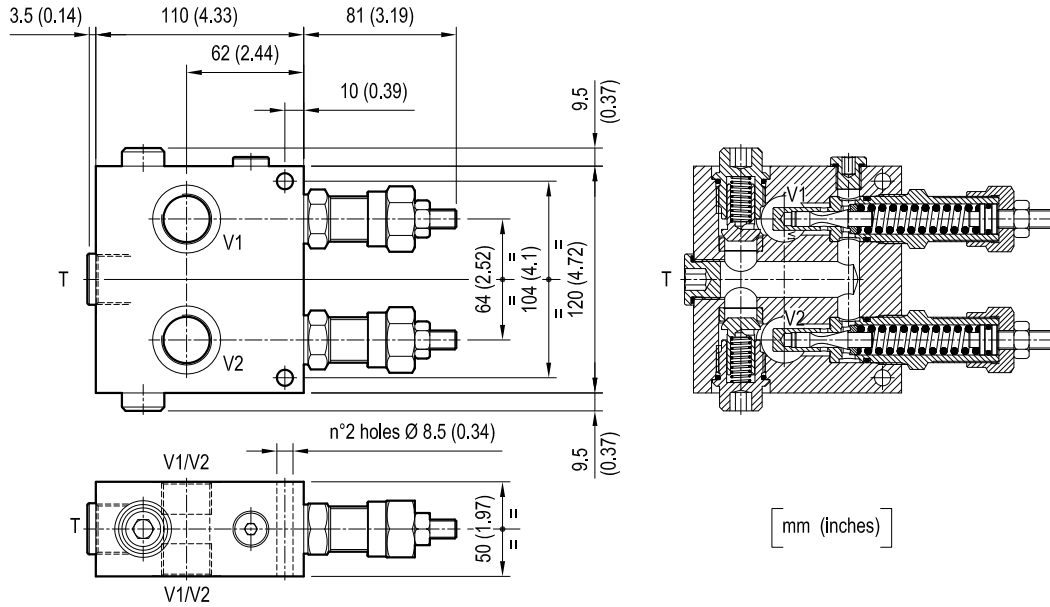
Manifold material	Aluminium	
Note: aluminium bodies are often strong enough for operating pressures exceeding 210 bar (3000 psi), depending from the fatigue life expected in the specific application. If in doubt, consult our Service Network.		
Weight	kg (lbs)	2.35 (5.2)
Fluid temperature range	°C (°F)	between -30 (-22) and +100 (212)
Other technical data	see data sheet RE 18350-50	

Performance



Note: for applications outside these parameters, please consult us.

Dimensions




Ordering code

05.16.05	X	Y	Z
-----------------	----------	----------	----------

Dual cross over relief


Adjustments

= 03 Leakproof hex. socket screw 

Port sizes	V1-V2		
= 03	G 1/2		
= 04	G 3/4		

SPRINGS

	Adj. pressure range bar (psi)	Pres. increase bar/turn (psi/turn)	Std. setting Q=5 (l/min.) bar (psi)
= 10	30-100 (435-1450)	12 (174)	100 (1450)
= 20	80-250 (1160-3600)	27 (392)	200 (2900)

Tamper resistant cap
code 11.04.23.003
R930000754 

Type	Material number
051605030310000	R930001368
051605030320000	R930001369
051605030410000	R930001960
051605030420000	R930001370

Type	Material number