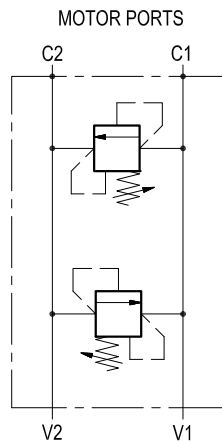


## Dual cross over relief, direct acting, flangeable to motor



VSDI-30-FM

05.16.33 - X - Y - Z



### Description

It relieves the inlet pressure from either one of the supply lines and it protects the motor from shocks or pressure surges induced by changes in direction or by sudden stops. The dual relief is of the cross over type, and exhausted oil is transferred to the other line (from V1 into V2 and vice-versa), without the necessity of a separate tank line: this feature also prevents cavitation when used in conjunction with closed centre directional valve.

### Technical data

#### Hydraulic

Operating pressure	bar (psi)	up to 210 (3000)
Max. flow	l/min (gpm)	30 (8)

Flangeable on SAUER-DANFOSS orbital motors OMP-OMR series

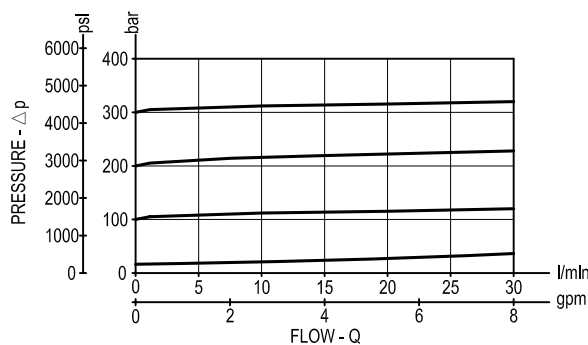
For relief cartridge details, see RE 18318-23 (VS-30 041118X99Z)

Each cartridge can be individually pressure set.

#### General

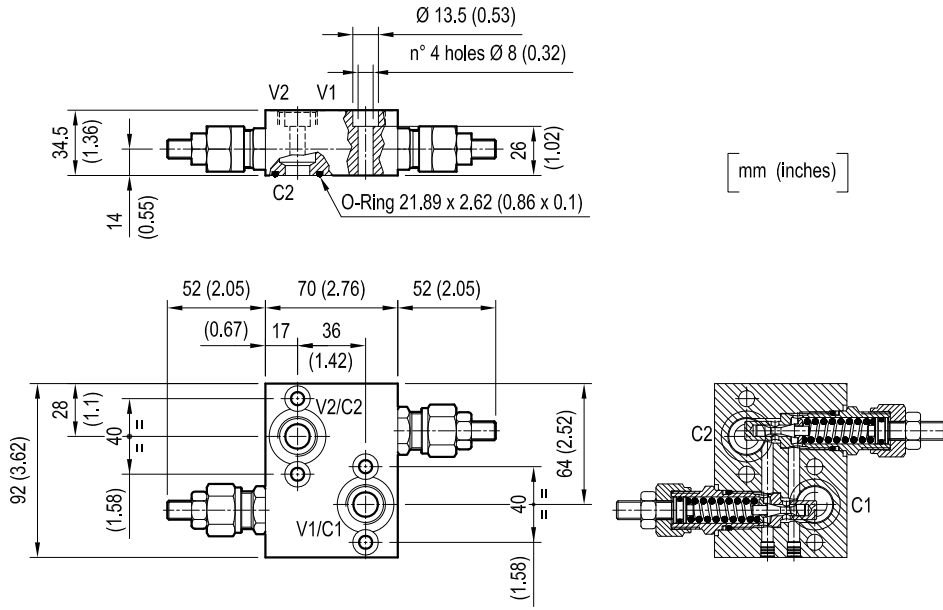
Manifold material	Aluminium	
Note: aluminium bodies are often strong enough for operating pressures exceeding 210 bar (3000 psi), depending from the fatigue life expected in the specific application. If in doubt, consult our Service Network.		
Weight	kg (lbs)	0.7 (1.54)
Fluid temperature range	°C (°F)	between -30 (-22) and +100 (212)
Other technical data	see data sheet RE 18350-50	

### Performance



**Note:** for applications outside these parameters, please consult us.

Dimensions




Ordering code


<b>05.16.33</b>	<b>X</b>	<b>Y</b>	<b>Z</b>
-----------------	----------	----------	----------

Dual cross over relief,  
flangeable to motor

Adjustments

**= 03** Leakproof hex. socket screw 

SPRINGS			
	Adj. pressure range bar (psi)	Pres. increase bar/turn (psi/turn)	Std. setting Q=5 (l/min.) bar (psi)
<b>= 20</b>	50-210 (725-3000)	47 (682)	200 (2900)

Tamper resistant cap  
code 11.04.23.003  
R930000754 

Port sizes	V1-V2	C1-C2	
<b>= 03</b>	G 1/2	Ø 13 (0.51)	

Type	Material number
051633030320000	R930001388

Type	Material number