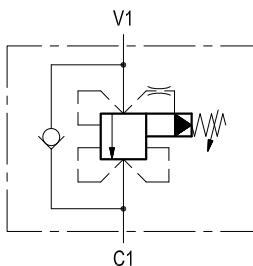
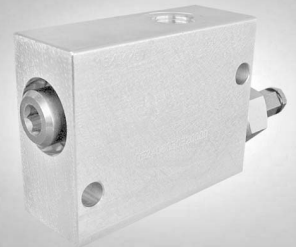


Sequence, pilot operated spool type, compensated

VSQP-CC-150

05.24.06 - X - Y - Z



Description

Initially, the flow goes to a side line connected to V1, not shown here, and energizes a first actuator until pressure increases to meet the selected valve setting; then flow opens the relief cartridge and passes from V1 to C1 energizing the second actuator connected to C1. The valve applies a balanced relief piston allowing relief operation at the valve setting independent of back-pressure at C1. With line pressure equal or higher than setting, after valve opening, the full pressure is transferred from V1 to C1 and to the second actuator. The check valve allows reverse flow, from C1 to V1.

Technical data

Hydraulic

Operating pressure	bar (psi)	up to 210 (3000)
Max. flow	l/min (gpm)	150 (40)

Leakage: 100 cc/min (6 in³/min) at max relief setting.

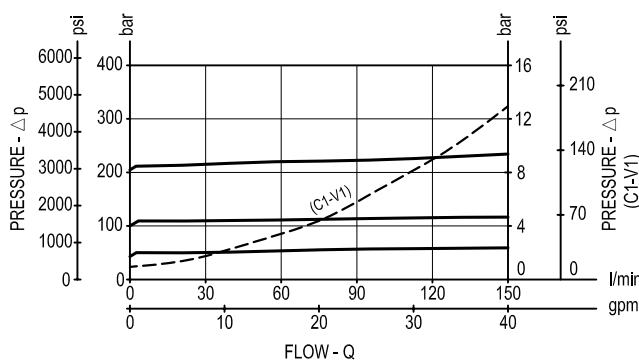
For a good performance, the pressure in the secondary circuit should not drop below 20 bar (290 psi).

General

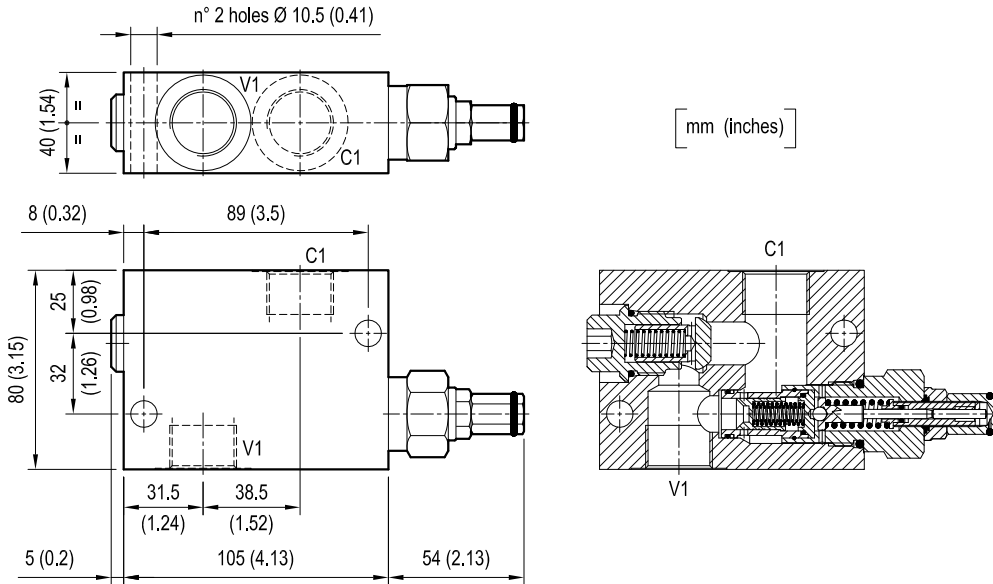
Manifold material	Aluminium	
Note: aluminium bodies are often strong enough for operating pressures exceeding 210 bar (3000 psi), depending from the fatigue life expected in the specific application. If in doubt, consult our Service Network.		
Weight	kg (lbs)	1.1 (2.43)
Fluid temperature range	°C (°F)	between -30 (-22) and +100 (212)
Other technical data	see data sheet RE 18350-50	

Note: for applications outside these parameters, please consult us.

Performance



Dimensions



Ordering code

05.24.06	X	Y	Z
-----------------	----------	----------	----------

Sequence,
pilot operated spool type,
compensated

Adjustments

= 03 Leakproof inner hex. socket screw



SPRINGS			
	Adj. pressure range bar (psi)	Pres. increase bar/turn (psi/turn)	Std. setting Q=5 (l/min.) bar (psi)
= 20	10-210 (145-3000)	35 (508)	200 (2900)

Port sizes	V1	C1	
= 03	G 1/2	G 1/2	
= 04	G 3/4	G 3/4	

Type	Material number
052406030320000	R930001501
052406030420000	R930001503

Type	Material number