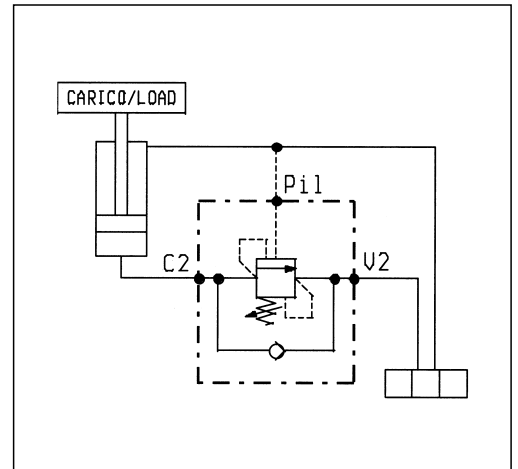
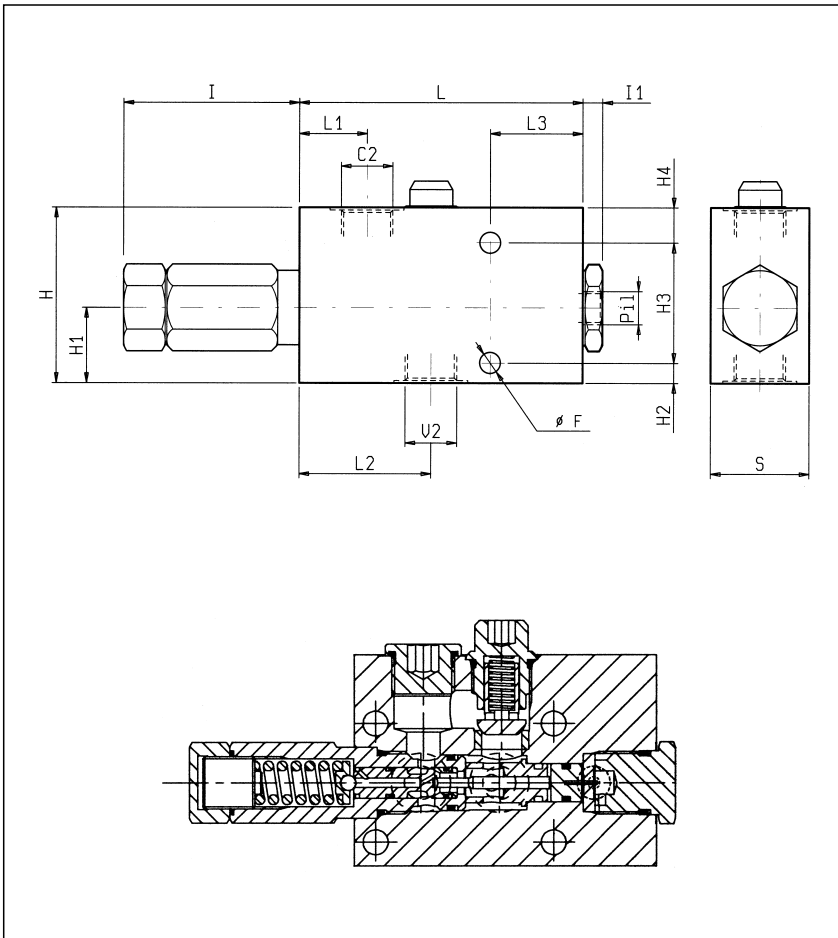


VBSO-SE-NA

05.41.62 - X - Y - Z



DATI TECNICI / TECHNICAL DATA

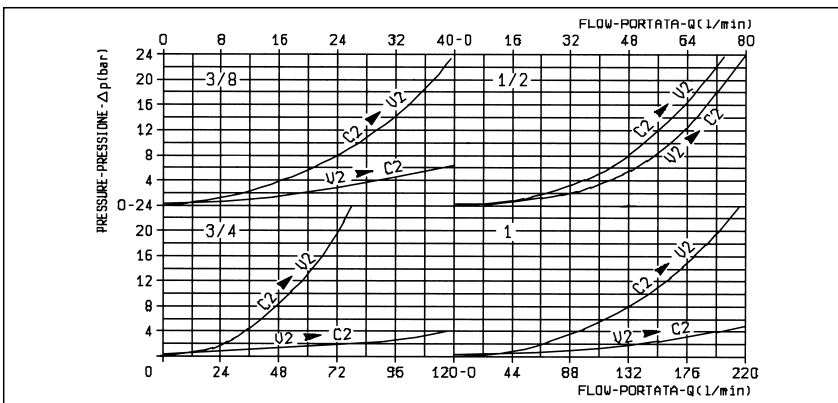
Pressione max. 350 bar
 Max. pressure

Portata max. vedi diagramma
 Flow see performance graph

Taratura della valvola: almeno 1.3 volte superiore alla pressione indotta dal carico

Pressure setting: at least 1.3 times the load induced pressure

50	40.5	77	35	160	92.5	35	55	10	35	100	10.5					1	3.25
40	42.5	62	29	127.5	71.5	30	50	10	35	90	10.5					3/4	1.755
40	37.5	53.5	27.5	115	71.5	14	48	8	30	70	8.5					1/2	1.39
35	27.5	48.5	27.5	100	61	17	40	8	26.5	65	8.5					3/8	0.98
S	L3	L2	L1	L	I	H4	H3	H2	H1	H	F					Y	Peso kg Weight kg



X	RAPPORTO DI PILOTAGGIO PILOT RATIO
03	1/2 - 7.6 : 1
	3/4 - 7.6 : 1
	1 - 8 : 1
10	3/8 - 3.6 : 1
	1/2 - 3 : 1
	3/4 - 3 : 1
	1 - 2.8 : 1

Z	MOLLE / SPRINGS				
	Campo taratura min - max bar Adj. press. range bar	Incremento press. bar / giro vite Press. increase bar / turn	Taratura standard bar (Q = 5 l/min) Std. setting bar (Q = 5 l/min)	Cod. ordinazione Ordering code	Colore Colour
3/8	20	60-210	60	200	03.51.01.075 verde green
	35	100-350	100	350	03.51.01.059 giallo yellow
1/2	20	60-210	68	200	03.51.01.152 verde green
3/4	35	100-350	105	350	03.51.01.142 giallo yellow
1	20	60-210	36	200	03.51.01.067 verde green
	35	100-350	62	350	03.51.01.057 giallo yellow

Y	ATTACCHI / PORT SIZE	
	V2-C2	PIL
02	G 3/8	G 1/4
03	G 1/2	G 1/4
04	G 3/4	G 1/4
05	G 1	G 1/4