

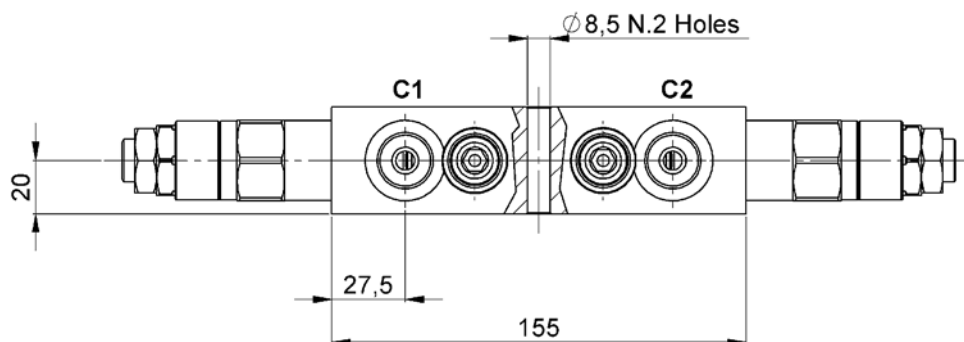
Operating pressure : up to 210 bar

Max flow : 120 l/min

Pressure setting:
350 bar Q= 5 l/min

Pili ratio : 3 : 1

Port size:
V1-V2-C1-C2 = G1/2 ISO 1179-1



For dimensions without tolerance, consider ± 0.5 mm

All dimensions : mm

| | | | | | |
|---|--|---|--|--|--|
| Denominazione / Denomination | | VBSO-DE-NA-12-1:3-35-A | | Bosch Rexroth Oil Control S.p.A. | |
| Specifiche / Specifications | | - | | | |
| Massa / Mass (kg) | | 1,990 | | Kit guarniz. Seal kit | |
| Richiesta / Request | | - | | Modifiche Changes | |
| Tipo cavità Cavity type | | A3 | | Sostituisce il Replaces 054225100335000 | |
| Disegnato / Designed by | | Zhao | | Data / Date 05/09/12 | |
| Verificato / Checked by | | Ortiz | | Scala / Scale 1:2 | |
| Direttorio del file Cad / Cad file directory | | K:\Design\Cad 3D\Ingombri\05422510033500A | | Codice Code 05422510033500A | |
| <small>Disegno di proprietà BOSCH REXROTH OIL CONTROL S.p.A. tutelato ai termini di legge. E' vietata la riproduzione e la diffusione non autorizzata. This drawing is a property of BOSCH REXROTH OIL CONTROL S.p.A. protected according to the laws. Unauthorized reproduction and distribution is strictly prohibited.</small> | | | | Material number R930007401 | |