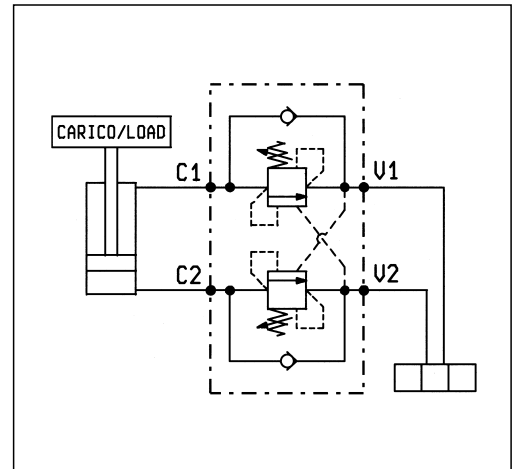
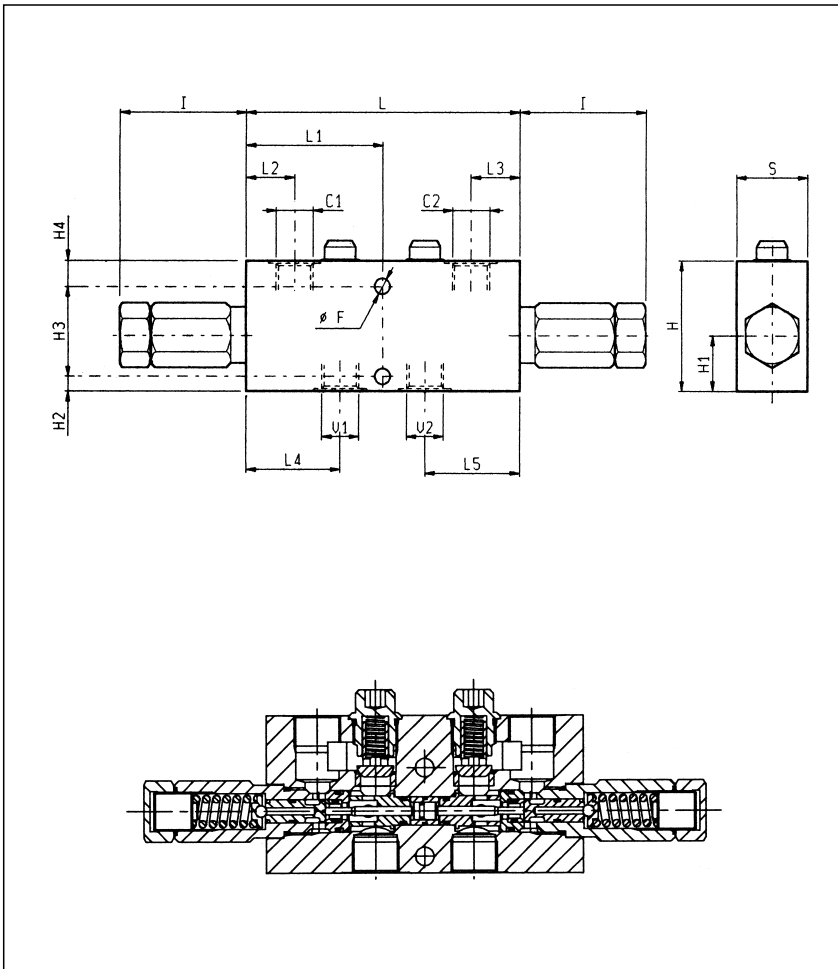


VBSO-DE-NA

05.42.25 - X - Y - Z



DATI TECNICI / TECHNICAL DATA

Pressione max. 350 bar
 Max. pressure

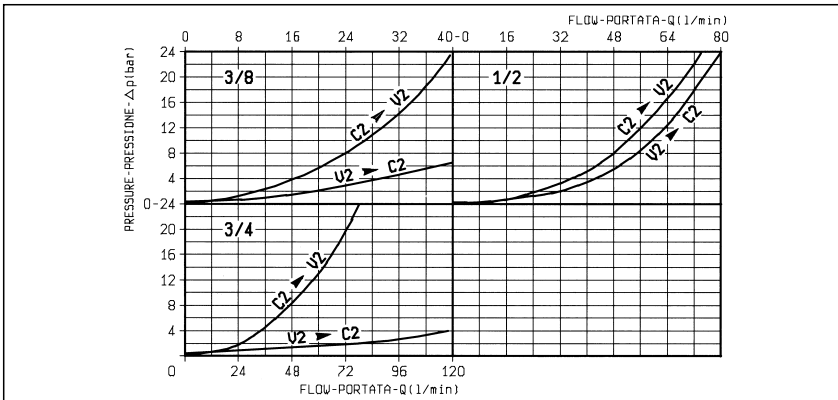
Portata max. vedi diagramma
 Flow see performance graph

Taratura della valvola: almeno 1.3 volte superiore alla pressione indotta dal carico

Pressure setting: at least 1.3 times the load induced pressure

Cappellotto per piombatura Codice/Ordering code
 Sealing Cap 03.05.01.001

40	62	62	29	29	90	180	69	30	50	10	35	90	10.5						3/4	2.60
40	53.5	53.5	27.5	27.5	77.5	155	71.5	14	48	8	30	70	8.5						1/2	2.10
35	48.5	48.5	25.5	25.5	77.5	145	61.5	17	40	8	26.5	65	8.5						3/8	1.45
S	L5	L4	L3	L2	L1	L	I	H4	H3	H2	H1	H	F						Y	Peso kg Weight kg



X	RAPPORTO DI PILOTAGGIO PILOT RATIO
03	1/2 - 7.6 : 1 3/4 - 7.6 : 1
10	3/8 - 3.6 : 1 1/2 - 3 : 1 3/4 - 3 : 1

Z	MOLLE / SPRINGS				
	Campo taratura min - max bar Adj. press. range bar	Incremento press. bar / giro vite Press. increase bar / turn	Taratura standard bar (Q = 5 l/min) Std. setting bar (made at = 5 l/min)	Cod. ordinazione Ordering code	Colore Colour
3/8	20	60-210	60	200	03.51.01.075 verde green
	35	100-350	100	350	03.51.01.059 giallo yellow
1/2	20	60-210	68	200	03.51.01.152 verde green
3/4	35	100-350	105	350	03.51.01.142 giallo yellow

Y	ATTACCHI / PORT SIZE	
	V1-V2-C1-C2	
02	G 3/8	
03	G 1/2	
04	G 3/4	