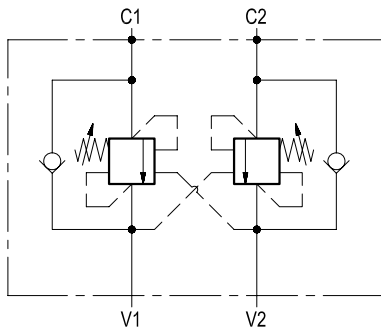


RE 18307-58/04.10 1/2
Replaces: RE 00171/02.07

Dual counterbalance

VBSO-DE-NN-FC2

05.42.48 - X - Y - Z



Description

It provides static and dynamic control of load by regulating the flow IN and OUT of the actuator, through ports C1 and C2. This valve module includes 2 sections, each one composed by a check and a relief valve pilot assisted by pressure in the opposite line: the check section allows free flow into the actuator, then holds the load against reverse movement; with pilot pressure applied at the line across, the pressure setting of the relief is reduced in proportion to the stated ratio until opening and allowing controlled reverse flow. Back-pressure at V1 or V2 is additive to the pressure setting in all functions.

Technical data

Hydraulic

| | | |
|--------------------|-------------|------------------|
| Operating pressure | bar (psi) | up to 210 (3000) |
| Max. flow | l/min (gpm) | 40 (11) |

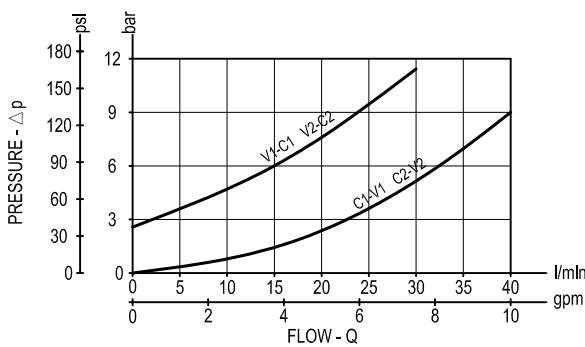
Relief setting: at least 1.3 times the highest expected load.

General

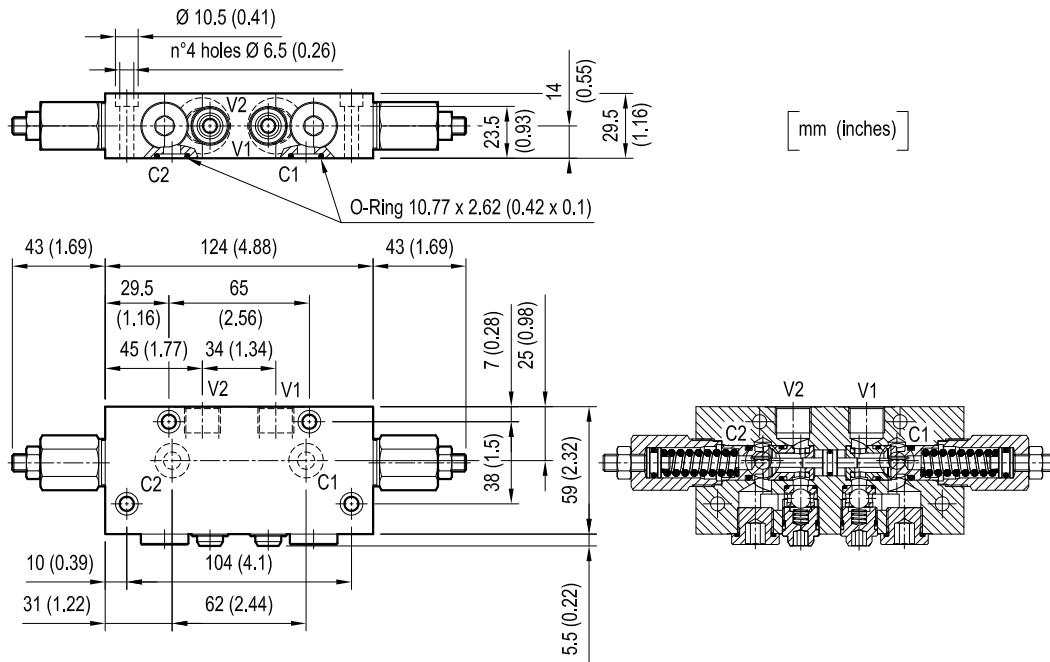
| | | |
|--|----------------------------|----------------------------------|
| Manifold material | Aluminium | |
| Note: aluminium bodies are often strong enough for operating pressures exceeding 210 bar (3000 psi), depending from the fatigue life expected in the specific application. If in doubt, consult our Service Network. | | |
| Weight | kg (lbs) | 0.75 (1.65) |
| Fluid temperature range | °C (°F) | between -30 (-22) and +100 (212) |
| Other technical data | see data sheet RE 18350-50 | |

Note: for applications outside these parameters, please consult us.

Performance



Dimensions



Ordering code

| | | | |
|-----------------|----------|----------|----------|
| 05.42.48 | X | Y | Z |
|-----------------|----------|----------|----------|

| | |
|---------------------|-------|
| Dual counterbalance | |
| Pilot ratio | |
| = 03 | 6.6:1 |
| = 10 | 2.9:1 |

| | | |
|-------------|-------|------------|
| Port sizes | V1-V2 | C1-C2 |
| = 02 | G 3/8 | Ø 8 (0.32) |

| | SPRINGS | | |
|-------------|----------------------------------|---------------------------------------|---|
| | Adj. pressure range bar (psi) | Pres. increase bar/turn (psi/turn) | Std. setting Q=5 (l/min.) bar (psi) |
| = 20 | 60-210 (900-3000) | 54 (783) | 200 (2900) |
| = 35 | 120-350 (1750-5000) | 118 (1711) | 350 (5000) |

| Type | Material number |
|-----------------|-----------------|
| 054248030220000 | R930001879 |
| 054248030235000 | R930001880 |
| 054248100220000 | R930001882 |
| 054248100235000 | R930001883 |

| Type | Material number |
|------|-----------------|
| | |
| | |
| | |
| | |
| | |
| | |

Bosch Rexroth Oil Control S.p.A.
 Via Leonardo da Vinci 5
 P.O. Box no. 5
 41015 Nonantola – Modena, Italy
 Tel. +39 059 887 611
 Fax +39 059 547 848
 motion-control-valves@oilcontrol.com
 www.boschrexroth.com

© This document, as well as the data, specifications and other information set forth in it, are the exclusive property of Bosch Rexroth Oil Control S.p.a.. It may not be reproduced or given to third parties without its consent.
 The data specified above only serve to describe the product. No statements concerning a certain condition or suitability for a certain application can be derived from our information. The information given does not release the user from the obligation of own judgment and verification. It must be remembered that our products are subject to a natural process of wear and aging.
 Subject to change.